

**600CW 30A TRIAC**

Rev.A.1.1

## FUNCTION:

JST30A-600CW triac is suitable for general purpose AC  
It can be used as an ON/OFF function in  
circuits such as heating regulation, induction motor  
circuits, for phase control operation in light dimmers,  
speed controllers. JST30A-600CW snubberless triac is  
recommended for use on inductive loads. By using  
ceramic pad, JST30A-600CW provides a rated  
voltage of 2500 VRMS, complying with UL standards  
(UL 252906). Package TO-220A is RoHS compliant.

## FEATURES

## MAXIMUM RATINGS

Parameter -5(i)6(3)-1 (0)]TJ 0 Tc 1 Tw 4.89 0 Td ( )Tj EMC /P <8/MCID 14 >>

Peak gate power	$P_{GM}$	10	W
Peak pulse voltage ( $T_j=25$ ; non-repetitive, off-state; FIG.7)	$V_{pp}$	2.5	kV

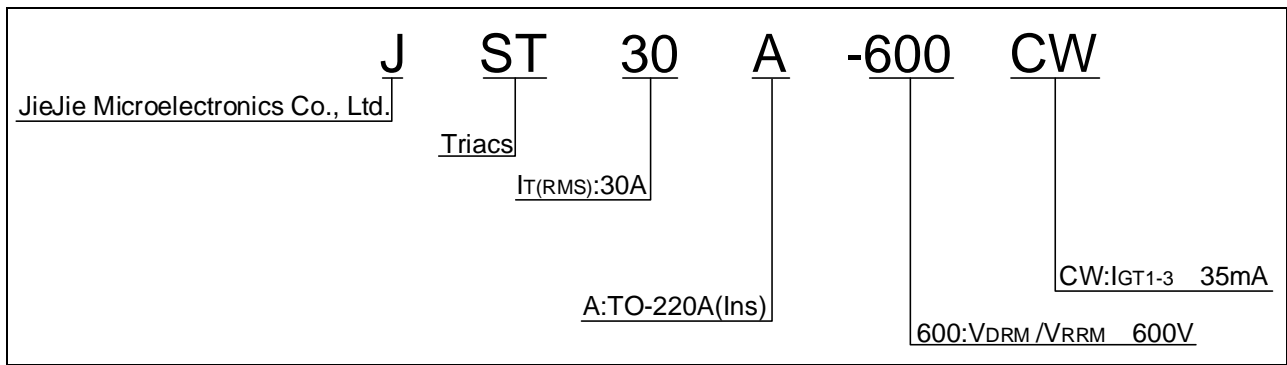
**ELECTRICAL CHARACTERISTICS** ( $T_j=25$  unless otherwise specified)

Symbol	Test Condition	Quadrant	Value		Unit
$I_{GT}$	$V_D=12V$ $R_L=33$	- -	MAX.	35	mA
$V_{GT}$		- -	MAX.	1.3	V
$V_{GD}$	$V_D=V_{DRM}$ $T_j=125$ $R_L=3.3k$	- -	MIN.	0.15	V
$I_L$	$I_G=1.2I_{GT}$	-	MAX.	70	mA
				80	
$I_H$	$I_T=500mA$		MAX.	50	mA
dV/dt	$V_D=400V$ Gate Open $T_j=125$		MIN.	1500	V/ $\mu s$
(dI/dt) <sub>c</sub>	(dV/dt) <sub>c</sub> =20V/ $\mu s$ $T_j=125$		MIN.	15	A/ms
$t_{on}$	$I_G=40mA$ $I_A=200mA$ $I_R=20mA$ $T_j=25$		TYP.	7	$\mu s$
$t_{off}$				50	

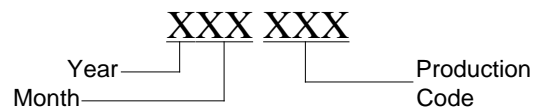
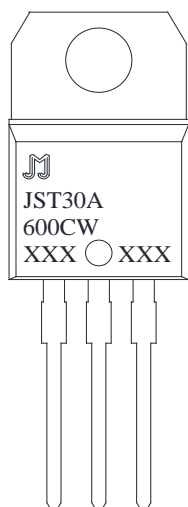
**STATIC CHARACTERISTICS**

Symbol	Parameter	Value(MAX.)	Unit
--------	-----------	-------------	------

ORDERING INFORMATION



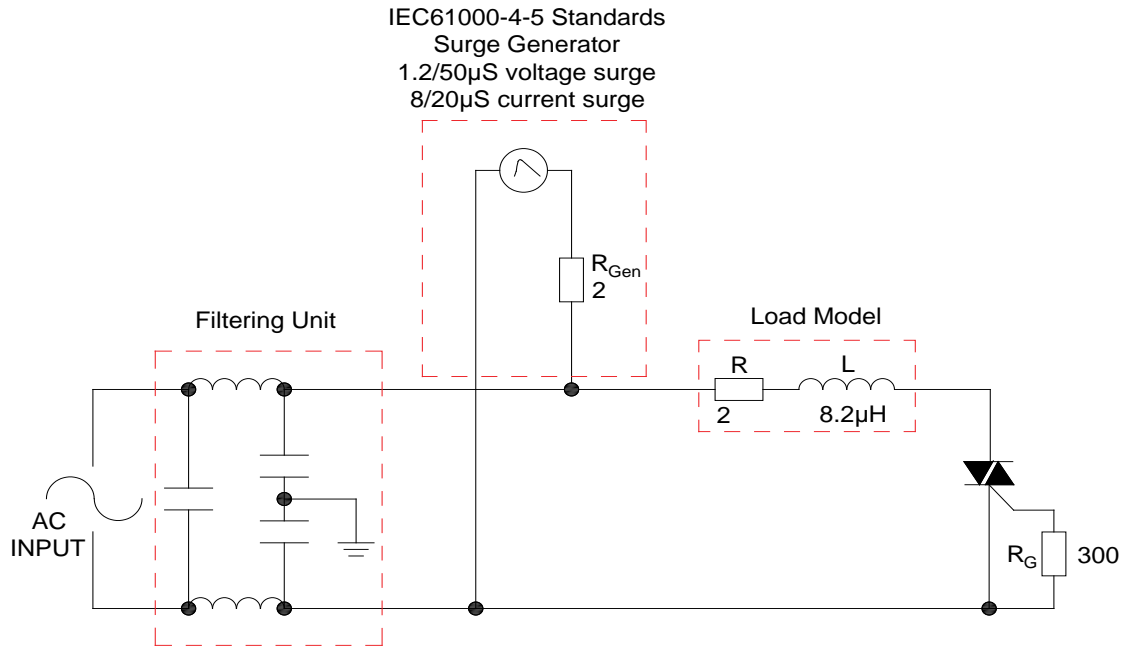
MARKING



**JST30A-600CW**

**JieJie Microelectronics Co., Ltd.**

FIG.7 Test circuit for inductive and resistive loads to IEC-61000-4-5 standards



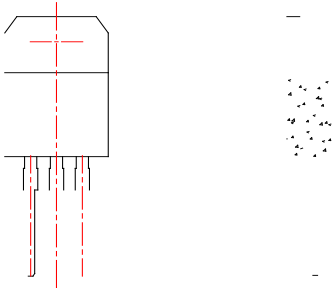
## LEAD FORMING AND SOLDERING

Refer to the application note “Assembly Instructions for Thyristors in Through-hole Package” released by JieJie

**ORDERING INFORMATION**



PACKAGE MECHANICAL DATA



Information furnished in this document is believed to be accurate and reliable. However, Jiangsu JieJie Microelectronics Co., Ltd. assumes no responsibility for the consequences of use without consideration for such information nor use beyond it. Information mentioned in this document is subject to change without notice, apart from that when an agreement is signed, Jiangsu JieJie complies with the agreement.

Products and information provided in this document have no infringement of patents. Jiangsu JieJie assumes no responsibility for any infringement of other rights of third parties which may result from the use of such products and information. This document supersedes and replaces all information previously supplied.