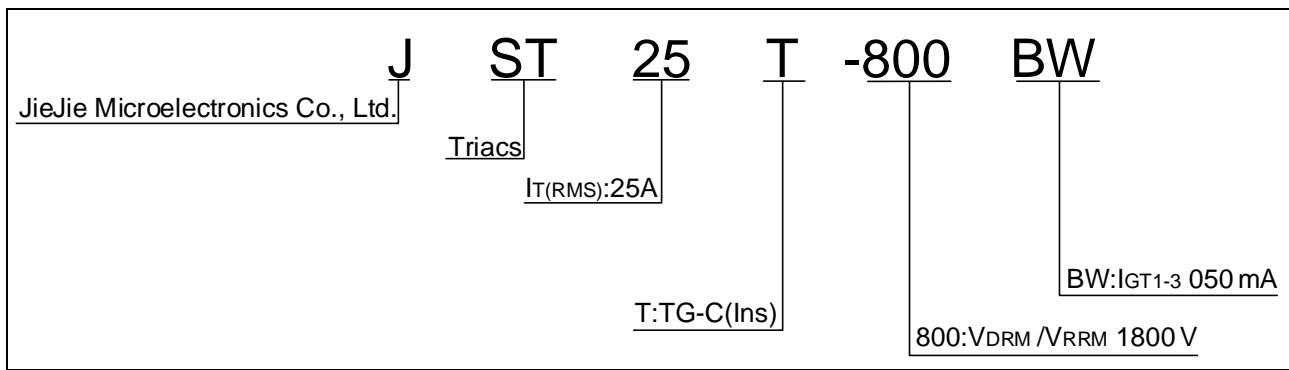




Peak pulse voltage ( $T_j=25$ ; non-repetitive, off-state; FIG.7)	$V_{pp}$	2.5	kV
--	----------	-----	----

ELECTRICAL CHARACTERISTICS unless otherwise specified

ORDERING INFORMATION



MARKING

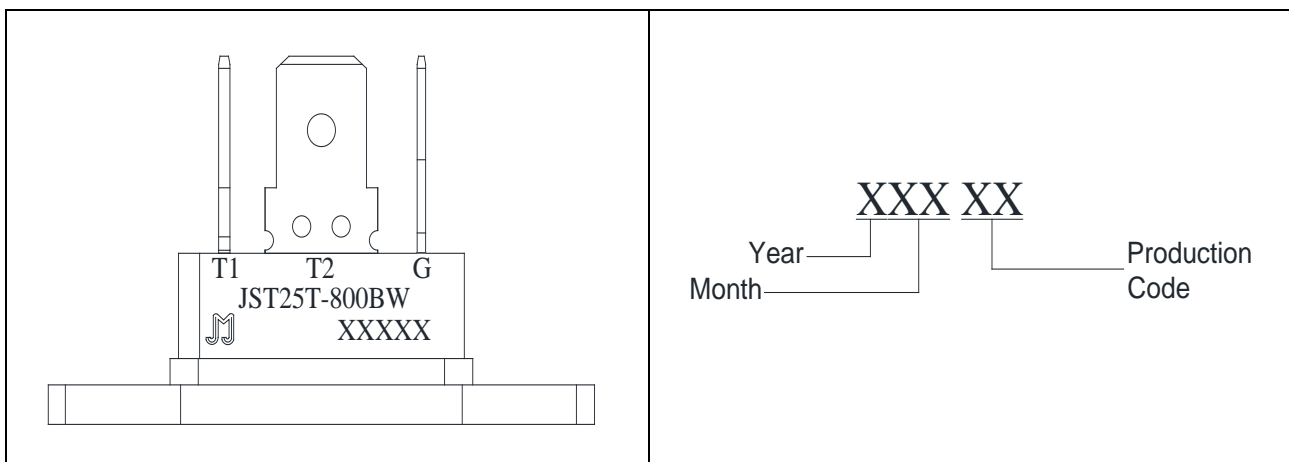
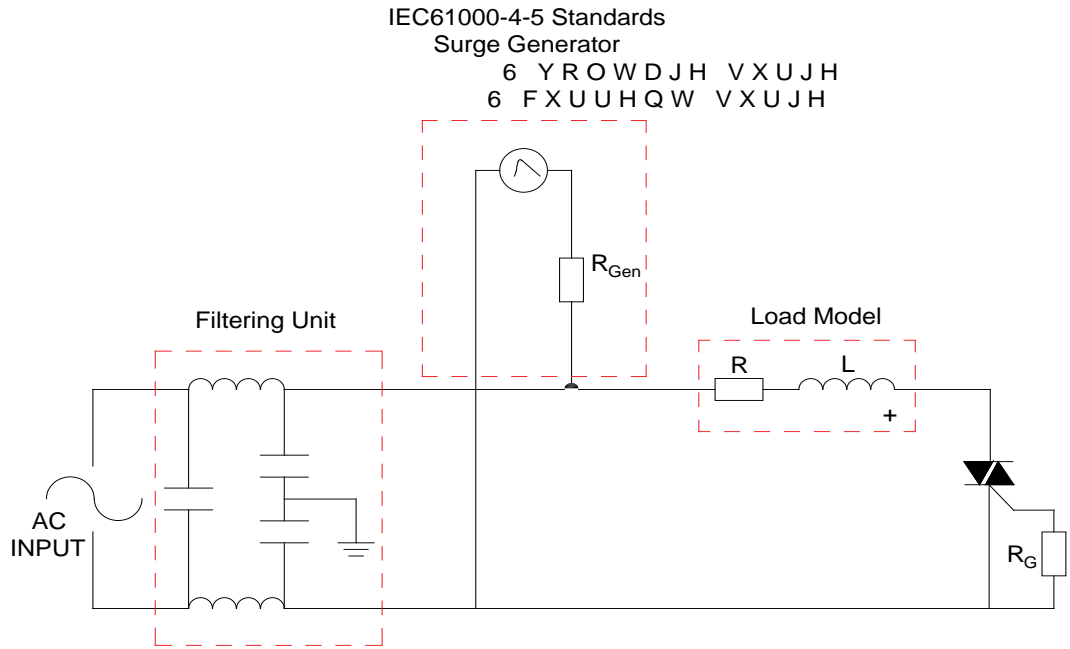




FIG.7 ÖTest circuit for inductive and resistive loads to IEC-61000-4-5 standards



JST25T-800BW



Jie Jie Microelectronics Co., Ltd.

ORDERING INFORMATION

Order code	Voltage $V_{DRM}/V_{RRM}(V)$	IGT(mA) - -	Package	Base qty. (pcs)	Delivery mode
------------	---------------------------------	----------------	---------	--------------------	------------------

PACKAGE MECHANICAL DATA



