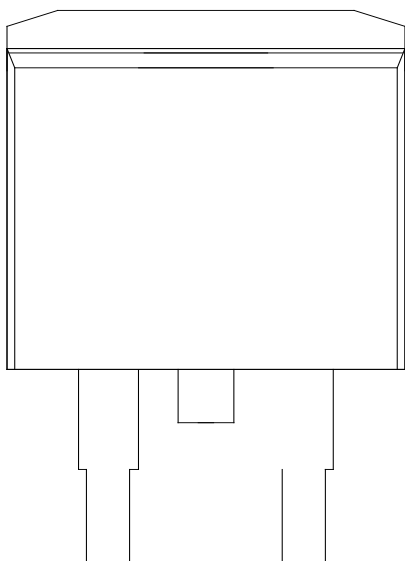


## ORDERING INFORMATION

	<b>J</b>	<b>ST</b>	<b>16</b>	<b>E</b>	<b>-600</b>	<b>SW</b>	<b>-/</b>
JieJie Microelectronics Co., Ltd.		Triacs I <sub>T(RMS)</sub> :16A		E:TO-263		SW:IGT1-3 10mA	Blank:Tube -TR:Tape & Reel
					600:V <sub>DRM</sub> /V <sub>RRM</sub> 600V		

## MARKING

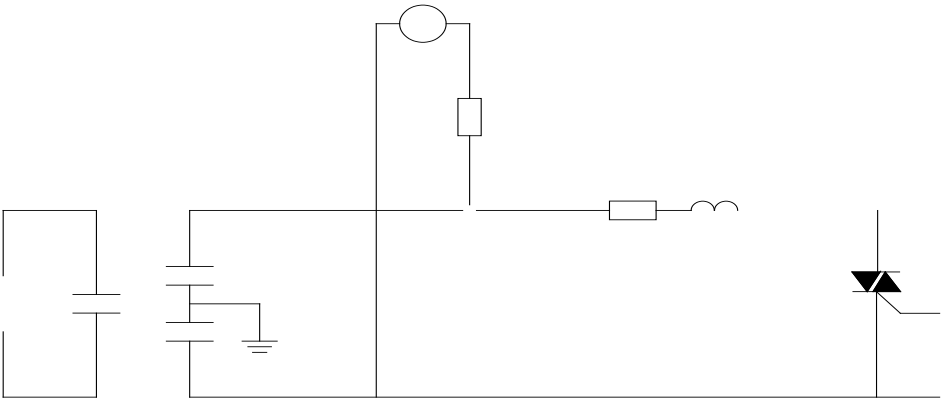




**FIG.7:** Relative variations of gate trigger current, holding current and latching current versus junction temperature



FIG.8: Test circuit for inductive and resistive loads to IEC-61000-4-5 standards



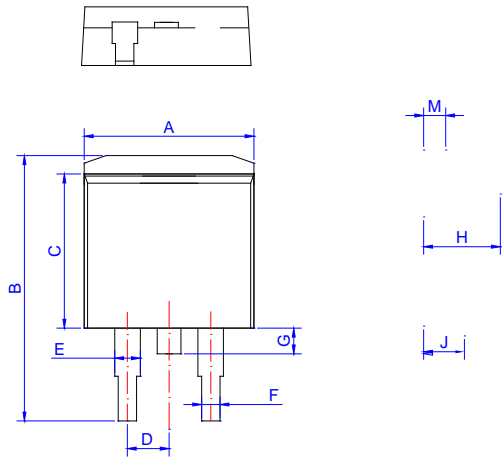
**ORDERING INFORMATION**

Order code	Voltage V <sub>DRM</sub> /V <sub>RRM</sub> (V)	IGT(mA)	Package	Base qty. (pcs)	Delivery mode
		- -			
JST16E-600SW	600	10	TO-263	50	Tube
JST16E-600SW-TR				800	Tape & Reel

**Document Revision History**

Date	Revision	Changes
Apr.12, 2023	A.1.0	Last updated
Oct.20, 2025	A.1.1	Revise PACKAGE MECHANICAL DATA

PACKAGE MECHANICAL DATA



Ref.	Dimensions					
	Millimeters			Inches		
	Min.	Typ.	Max.	Min.	Typ.	Max.
A	9.90		10.20	0.390		0.402
B	14.70		15.80	0.579		0.622
C	9.40		9.60	0.370		0.378
D	2.40			0.094		
E	1.20		1.50	0.047		0.059
F	0.75		0.85	0.029		0.033



Information furnished in this document is believed to be accurate and reliable. However,