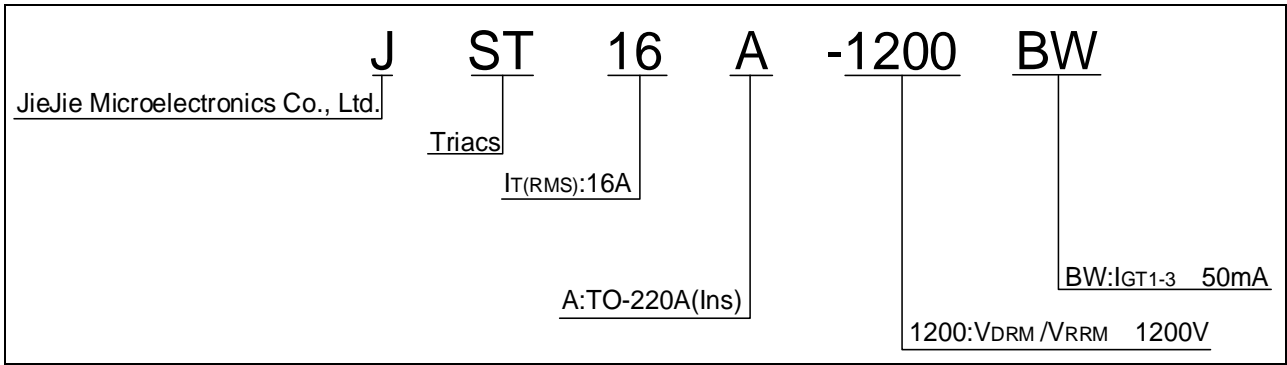




Peak gate power	$P_{GM}$	10	W
Peak pulse voltage ( $T_j=25$ ; non-repetitive, off-state; FIG.7)	$V_{pp}$	4	kV

ELECTRICAL CHARACTERISTICS (T<sub>e</sub>T<sub>m</sub> [(T<sub>m</sub> [( o2 T<sub>m</sub> h)-10 ( 0 12 ( g)1i.52 T<sub>m</sub> [(P)T<sub>m</sub> [(pecm [(i.52 t

ORDERING INFORMATION



MARKING ~~XXXXXXXXXX~~

**FIG.1:** Maximum power dissipation versus RMS on-state current



**FIG.2:** RMS on-state current versus case temperature

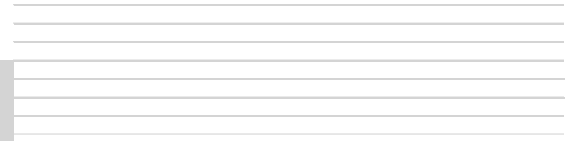
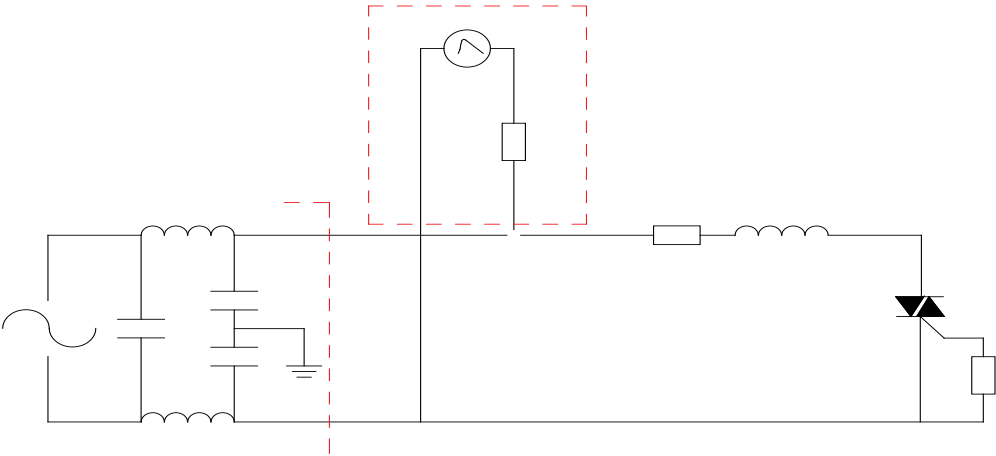


FIG.7 Test circuit for inductive and resistive loads to IEC-61000-4-5 standards



**ORDERING INFORMATION**

Order code	Voltage $V_{DRM}/V_{RRM}$ (V)	IGT(mA)	Package	Base qty. (pcs)	Delivery mode
		H I- J			
<b>JST16A-1200BW</b>	<b>1200</b>	<b>50</b>	<b>TO-220A(Ins)</b>	<b>50</b>	<b>Tube</b>

**Document Revision History**

Date

|

PACKAGE MECHANICAL DATA

