

(T_j=25 unless otherwise specified)

Symbol	Test Condition	Quadrant	Value		Unit
I _{GT}	V _D =12V R _L =33	- -	MAX.	25	mA
				70	
V _{GT}		ALL	MAX.	1	V
V _{GD}	V _D =V _{DRM} T _j =125 R _L =3.3k	ALL	MIN.	0.2	V
I _L	I _G =1.2I _{GT}	- -	MAX.	50	mA
				100	
I _H	I _T =500mA		MAX.	40	mA
dV/dt	V _D =540V Gate Open T _j =125		MIN.	200	V/μs
(dV/dt) _c	(dI/dt) _c =7.2A/ms, T _j =110		MIN.	10	X/μs
t _{on}	I _G =80mA I _A =400mA I _R =40mA T _j =25		TYP.	10	s
t _{off}				70	

Symbol	Parameter		Value(MAX.)	Unit
V _{TM}	I _{TM} =15A t _p =380 μs	T _j =25	1.5	V
V _{TO}	Threshold voltage	T _j =125	0.75	V
R _D	Dynamic resistance	T _j =125	27	Ω
I _{DRM}	V _D =V _{DRM} V _R =V _{RDM}	T _j =25	5	A
I _{RDM}		T _j =125	0.5	mA

Symbol	Parameter	Value	Unit
R _{th(j-c)}	junction to case (AC)	1.3	W
R _{th(j-a)}	junction to ambient (AC, in free air, S=2cm ²)	45	W

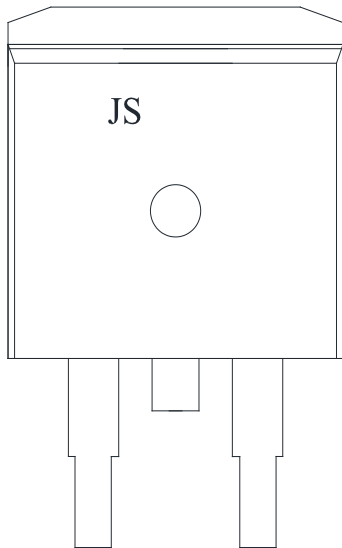
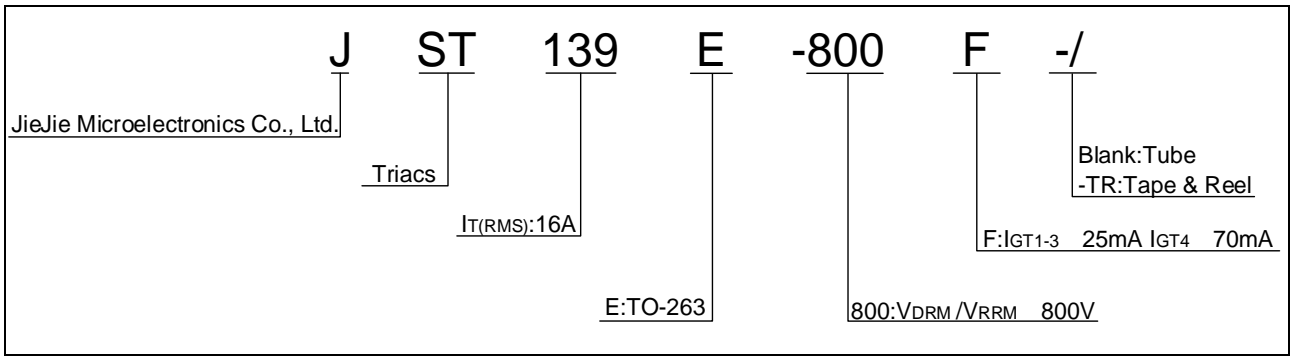




FIG.7: Relative variations of gate trigger current, holding current and latching current versus junction temperature

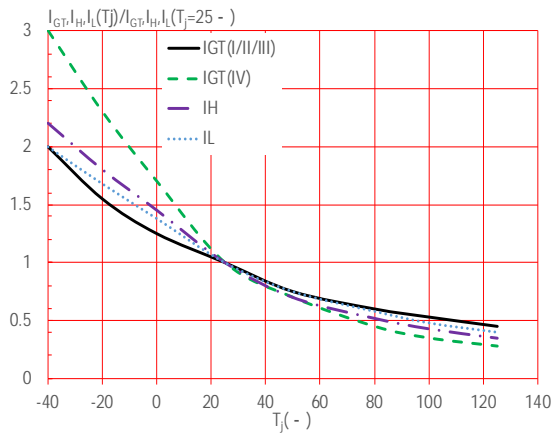
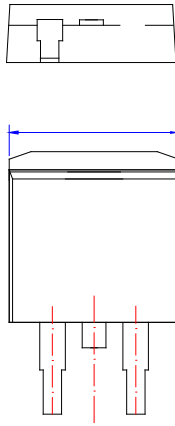
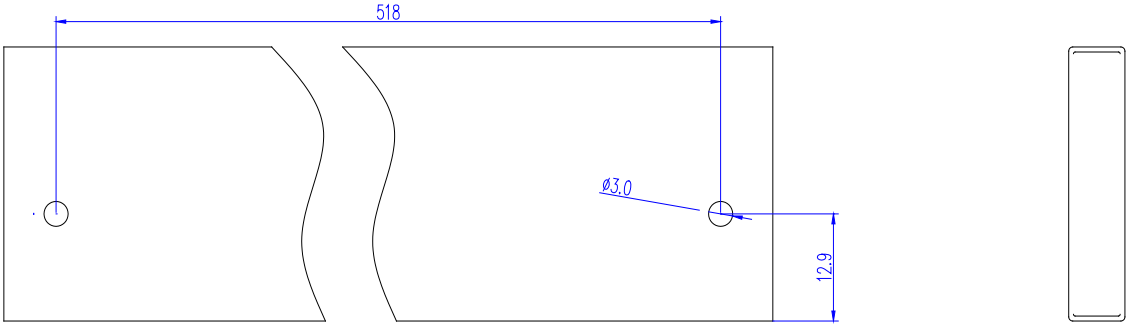


FIG.8

Order code	Voltage V_{DRM}/V_{RRM} (V)	IGT(mA)	Package	
------------	----------------------------------	---------	---------	--



Ref.	Dimensions					
	Millimeters			Inches		
	Min.	Typ.	Max.	Min.	Typ.	Max.
A	9.90		10.20	0.390		0.402
B	14.70		15.80	0.579		0.622
C	9.40		9.60	0.370		0.378
D	2.40			0.094		
E	1.20		1.50	0.047		0.059
F	0.75		0.85	0.029		0.033



Information furnished in this document is believed to be accurate and reliable. However, Jiangsu JieJie Microelectronics Co., Ltd. assumes no responsibility for the consequences of use without consideration for such information nor use beyond it. Information mentioned in this document is subject to change without notice, apart from that when an agreement is signed, Jiangsu JieJie complies with the agreement.

Products and information provided in this document have no infringement of patents. Jiangsu JieJie assumes no responsibility for any infringement of other rights of third parties which may result from the use of such products and information. This document supersedes and replaces all information previously supplied.



is a registered trademark of Jiangsu JieJie Microelectronics Co., Ltd.

Copyright © 2025 Jiangsu JieJie Microelectronics Co., Ltd. All rights reserved.