



JST12A-800TW 12A TRIAC

Rev.A.1.1

DESCRIPTION:

The JST12A-800TW triac is suitable for general purpose AC switching. It can be used as an ON/OFF function in applications such as heating regulation, induction motor starting circuits, for phase control operation in light dimmers, motor speed controllers. JST12A-800TW snubberless triac is especially recommended for use on inductive loads. It can be driven directly through the MCU I/O port. By using an internal ceramic pad, JST12A-800TW provides a rated insulation voltage of 2500 VRMS, complying with UL standards (File ref: E252906). Package TO-220A is RoHS compliant.

MAIN FEATURES

ABSOLUTE MAXIMUM RATINGS

Parameter	Symbol	Value	Unit
Storage junction temperature range	T_{stg}	-40-150	
Operating junction temperature range	T_j	-40-125	
Repetitive peak off-state voltage ($T_j=25^\circ\text{C}$)	V_{DRM}	800	V f 48 (peR

Average gate power dissipation ($T_j=125$)	$P_{G(AV)}$	0.5	W
Peak gate power	P_{GM}	10	W
Peak pulse voltage ($T_j=25$; non-repetitive,off-state;FIG.7)	V_{pp}	3.5	kV

ELECTRICAL CHARACTERISTICS ($T_j=25$ unless otherwise specified)

Symbol	Test Condition	Quadrant	Value		Unit
I_{GT}	$V_D=12V R_L=33$	- -	MAX.	5	mA
V_{GT}		- -	MAX.	1	V
V_{GD}	$V_D=V_{DRM} T_j=125$ $R_L=3.3k$	- -	MIN.	0.2	V
I_L	$I_G=1.2I_{GT}$	-	MAX.	10	mA
				15	
I_H	$I_T=500mA$		MAX.	10	mA
dV/dt	$V_D=540V$ Gate Open $T_j=125$		MIN.	80	V/ μs
$(dI/dt)_c$	$(dV/dt)_c=10V/\mu s T_j=125$		MIN.	1	A/ms
t_{on}	$I_G=10mA I_A=200mA I_R=20mA$ $T_j=25$		TYP.	2	μs
t_{off}				20	

STATIC CHARACTERISTICS

Symbol	Parameter		Value(MAX.)	Unit
V_{TM}	$I_{TM}=17A t_p=380\mu s$	$T_j=25$	1.5	V
V_{TO}	Threshold voltage	$T_j=125$	0.77	V
R_D	Dynamic resistance	$T_j=125$	35	m
I_{DRM}	$V_D=V_{DRM} V_R=V_{RRM}$	$T_j=25$	5	μA
I_{RRM}		$T_j=125$	0.5	mA

ORDERING INFORMATION

<u>J</u>	<u>ST</u>	<u>12</u>	<u>A</u>	<u>-800</u>	<u>TW</u>
JieJie Microelectronics Co., Ltd.	Triacs	$I_{T(RMS)}: 12A$			
			A: TO-220A(Ins)		TW: IGT1-3 5mA
				800: $V_{DRM} / V_{RRM} \quad 800V$	

MARKING

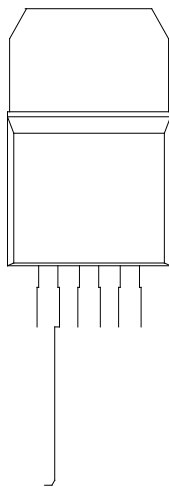
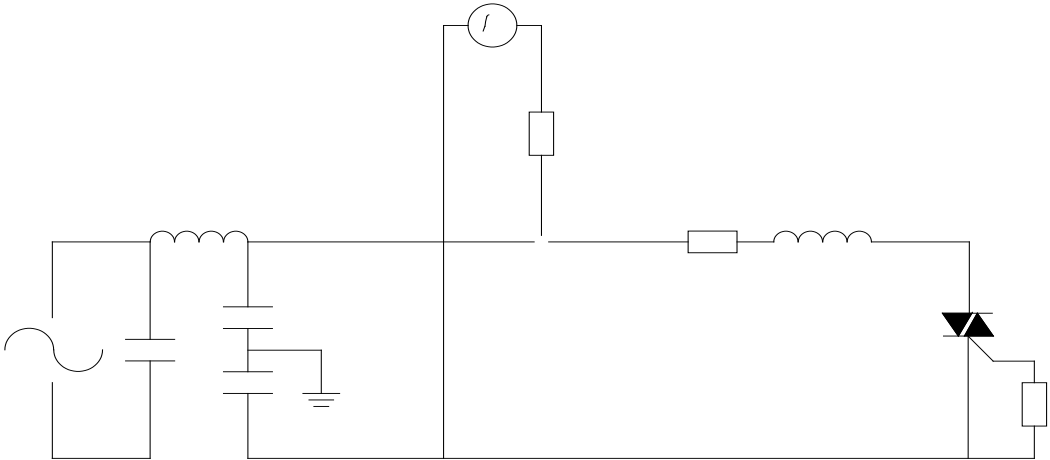


FIG.1: Maximum power dissipation versus RMS on-state current



FIG.2: RMS on-state current versus case temperature (W) (R MS)

FIG.7 Test circuit for inductive and resistive loads to IEC-61000-4-5 standards



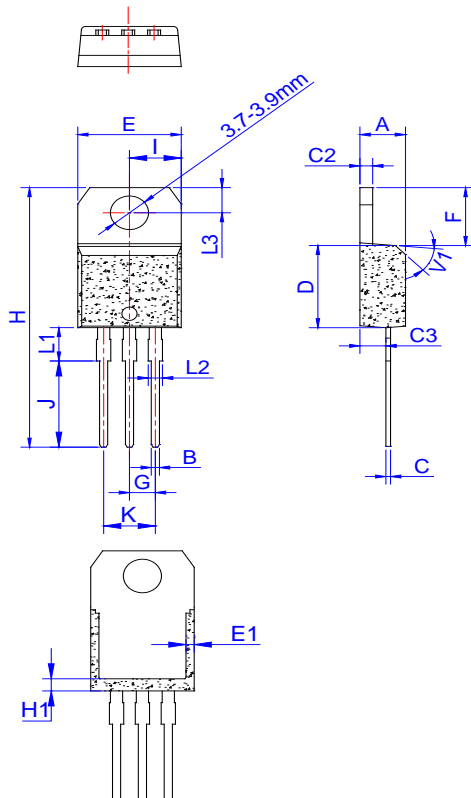
ORDERING INFORMATION

Order code	Voltage V_{DRM}/V_{RRM} (V)	IGT(mA)	Package	Base qty. (pcs)	Delivery mode
		- -			
JST12A-800TW	800	5	TO-220A(Ins)	50	Tube

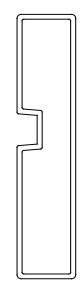
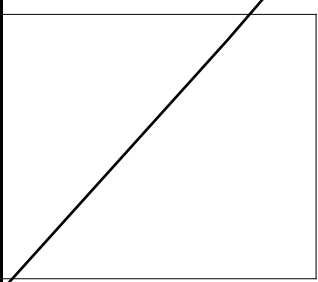
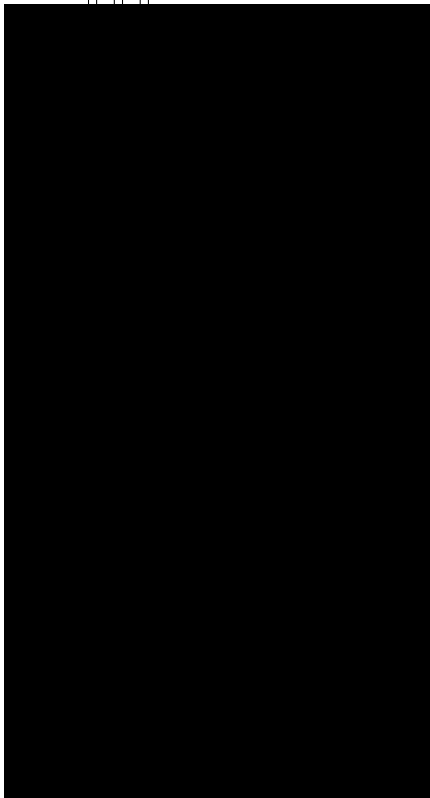
Document Revision History

Date	Revision	Changes
Apr.11, 2023	A.1.0	Last updated
Oct.13, 2025	A.1.1	Revise PACKAGE MECHANICAL DATA

PACKAGE MECHANICAL DATA



Ref.	Dimensions					
	Millimeters			Inches		
	Min.	Typ.	Max.	Min.	Typ.	Max.
A	4.40		4.60	0.173		0.181
B	0.61		0.88	0.024		0.035
C	0.46		0.70	0.018		0.028
C2	1.21		1.32	0.048		0.052
C3	2.40		2.72	0.094		0.107
D	8.60		9.70	0.339		0.382
E	9.80		10.40	0.386		0.409
E1	1.00		1.40	0.039		0.055
F	6.25		6.85	0.246		0.270
G	2.40		2.70	0.094		0.106
H	28.00		29.80	1.102		1.173
H1	1.80		2.20	0.071		0.087
I	4.80		5.20	0.189		0.205
J	9.55		9.95	0.376		0.392
K	4.80		5.20	0.189		0.205
L1	3.45		4.05	0.136		0.159
L2	1.14		1.70	0.045		0.067
L3	2.65		2.95	0.104		0.116
V1		45°			45°	



Information furnished in this document is believed to be accurate and reliable. However, Jiangsu JieJie Microelectronics Co., Ltd. assumes no responsibility for the consequences of use without consideration for such information nor use beyond it. Information mentioned in this document is for reference only. (S) (a) (1) (b) (2) (c) (1) (d) (1) (e) (1) (f) (1) (g) (1) (h) (1) (i) (1) (j) (1) (k) (1) (l) (1) (m) (1) (n) (1) (o) (1) (p) (1) (q) (1) (r) (1) (s) (1) (t) (1) (u) (1) (v) (1) (w) (1) (x) (1) (y) (1) (z) (1) (aa) (1) (ab) (1) (ac) (1) (ad) (1) (ae) (1) (af) (1) (ag) (1) (ah) (1) (ai) (1) (aj) (1) (ak) (1) (al) (1) (am) (1) (an) (1) (ao) (1) (ap) (1) (aq) (1) (ar) (1) (as) (1) (at) (1) (au) (1) (av) (1) (aw) (1) (ax) (1) (ay) (1) (az) (1) (ba) (1) (bb) (1) (bc) (1) (bd) (1) (be) (1) (bf) (1) (bg) (1) (bh) (1) (bi) (1) (bj) (1) (bk) (1) (bl) (1) (bm) (1) (bn) (1) (bo) (1) (bp) (1) (bq) (1) (br) (1) (bs) (1) (bt) (1) (bu) (1) (bv) (1) (bw) (1) (bx) (1) (by) (1) (bz) (1) (ca) (1) (cb) (1) (cc) (1) (cd) (1) (ce) (1) (cf) (1) (cg) (1) (ch) (1) (ci) (1) (cj) (1) (ck) (1) (cl) (1) (cm) (1) (cn) (1) (co) (1) (cp) (1) (cq) (1) (cr) (1) (cs) (1) (ct) (1) (cu) (1) (cv) (1) (cw) (1) (cx) (1) (cy) (1) (cz) (1) (da) (1) (db) (1) (dc) (1) (dd) (1) (de) (1) (df) (1) (dg) (1) (dh) (1) (di) (1) (dj) (1) (dk) (1) (dl) (1) (dm) (1) (dn) (1) (do) (1) (dp) (1) (dq) (1) (dr) (1) (ds) (1) (dt) (1) (du) (1) (dv) (1) (dw) (1) (dx) (1) (dy) (1) (dz) (1) (ea) (1) (eb) (1) (ec) (1) (ed) (1) (ee) (1) (ef) (1) (eg) (1) (eh) (1) (ei) (1) (ej) (1) (ek) (1) (el) (1) (em) (1) (en) (1) (eo) (1) (ep) (1) (eq) (1) (er) (1) (es) (1) (et) (1) (eu) (1) (ev) (1) (ew) (1) (ex) (1) (ey) (1) (ez) (1) (fa) (1) (fb) (1) (fc) (1) (fd) (1) (fe) (1) (ff) (1) (fg) (1) (fh) (1) (fi) (1) (fj) (1) (fk) (1) (fl) (1) (fm) (1) (fn) (1) (fo) (1) (fp) (1) (fq) (1) (fr) (1) (fs) (1) (ft) (1) (fu) (1) (fv) (1) (fw) (1) (fx) (1) (fy) (1) (fz) (1) (ga) (1) (gb) (1) (gc) (1) (gd) (1) (ge) (1) (gf) (1) (gg) (1) (gh) (1) (gi) (1) (gj) (1) (gk) (1) (gl) (1) (gm) (1) (gn) (1) (go) (1) (gp) (1) (gq) (1) (gr) (1) (gs) (1) (gt) (1) (gu) (1) (gv) (1) (gw) (1) (gx) (1) (gy) (1) (gz) (1) (ha) (1) (hb) (1) (hc) (1) (hd) (1) (he) (1) (hf) (1) (hg) (1) (hh) (1) (hi) (1) (hj) (1) (hk) (1) (hl) (1) (hm) (1) (hn) (1) (ho) (1) (hp) (1) (hq) (1) (hr) (1) (hs) (1) (ht) (1) (hu) (1) (hv) (1) (hw) (1) (hx) (1) (hy) (1) (hz) (1) (ia) (1) (ib) (1) (ic) (1) (id) (1) (ie) (1) (if) (1) (ig) (1) (ih) (1) (ii) (1) (ij) (1) (ik) (1) (il) (1) (im) (1) (in) (1) (io) (1) (ip) (1) (iq) (1) (ir) (1) (is) (1) (it) (1) (iu) (1) (iv) (1) (iw) (1) (ix) (1) (iy) (1) (iz) (1) (ja) (1) (jb) (1) (jc) (1) (jd) (1) (je) (1) (jf) (1) (jg) (1) (jh) (1) (ji) (1) (jj) (1) (jk) (1) (jl) (1) (jm) (1) (jn) (1) (jo) (1) (jp) (1) (jq) (1) (jr) (1) (js) (1) (jt) (1) (ju) (1) (jv) (1) (jw) (1) (jx) (1) (jy) (1) (jz) (1) (ka) (1) (kb) (1) (kc) (1) (kd) (1) (ke) (1) (kf) (1) (kg) (1) (kh) (1) (ki) (1) (kj) (1) (kk) (1) (kl) (1) (km) (1) (kn) (1) (ko) (1) (kp) (1) (kq) (1) (kr) (1) (ks) (1) (kt) (1) (ku) (1) (kv) (1) (kw) (1) (kx) (1) (ky) (1) (kz) (1) (la) (1) (lb) (1) (lc) (1) (ld) (1) (le) (1) (lf) (1) (lg) (1) (lh) (1) (li) (1) (lj) (1) (lk) (1) (ll) (1) (lm) (1) (ln) (1) (lo) (1) (lp) (1) (lq) (1) (lr) (1) (ls) (1) (lt) (1) (lu) (1) (lv) (1) (lw) (1) (lx) (1) (ly) (1) (lz) (1) (ma) (1) (mb) (1) (mc) (1) (md) (1) (me) (1) (mf) (1) (mg) (1) (mh) (1) (mi) (1) (mj) (1) (mk) (1) (ml) (1) (mm) (1) (mn) (1) (mo) (1) (mp) (1) (mq) (1) (mr) (1) (ms) (1) (mt) (1) (mu) (1) (mv) (1) (mw) (1) (mx) (1) (my) (1) (mz) (1) (na) (1) (nb) (1) (nc) (1) (nd) (1) (ne) (1) (nf) (1) (ng) (1) (nh) (1) (ni) (1) (nj) (1) (nk) (1) (nl) (1) (nm) (1) (no) (1) (np) (1) (nq) (1) (nr) (1) (ns) (1) (nt) (1) (nu) (1) (nv) (1) (nw) (1) (nx) (1) (ny) (1) (nz) (1) (oa) (1) (ob) (1) (oc) (1) (od) (1) (oe) (1) (of) (1) (og) (1) (oh) (1) (oi) (1) (oj) (1) (ok) (1) (ol) (1) (om) (1) (on) (1) (oo) (1) (op) (1) (oq) (1) (or) (1) (os) (1) (ot) (1) (ou) (1) (ov) (1) (ow) (1) (ox) (1) (oy) (1) (oz) (1) (pa) (1) (pb) (1) (pc) (1) (pd) (1) (pe) (1) (pf) (1) (pg) (1) (ph) (1) (pi) (1) (pj) (1) (pk) (1) (pl) (1) (pm) (1) (pn) (1) (po) (1) (pp) (1) (pq) (1) (pr) (1) (ps) (1) (pt) (1) (pu) (1) (pv) (1) (pw) (1) (px) (1) (py) (1) (pz) (1) (qa) (1) (qb) (1) (qc) (1) (qd) (1) (qe) (1) (qf) (1) (qg) (1) (qh) (1) (qi) (1) (qj) (1) (qk) (1) (ql) (1) (qm) (1) (qn) (1) (qo) (1) (qp) (1) (qq) (1) (qr) (1) (qs) (1) (qt) (1) (qu) (1) (qv) (1) (qw) (1) (qx) (1) (qy) (1) (qz) (1) (ra) (1) (rb) (1) (rc) (1) (rd) (1) (re) (1) (rf) (1) (rg) (1) (rh) (1) (ri) (1) (rj) (1) (rk) (1) (rl) (1) (rm) (1) (rn) (1) (ro) (1) (rp) (1) (rq) (1) (rs) (1) (rt) (1) (ru) (1) (rv) (1) (rw) (1) (rx) (1) (ry) (1) (rz) (1) (sa) (1) (sb) (1) (sc) (1) (sd) (1) (se) (1) (sf) (1) (sg) (1) (sh) (1) (si) (1) (sj) (1) (sk) (1) (sl) (1) (sm) (1) (sn) (1) (so) (1) (sp) (1) (sq) (1) (sr) (1) (ss) (1) (st) (1) (su) (1) (sv) (1) (sw) (1) (sx) (1) (sy) (1) (sz) (1) (ta) (1) (tb) (1) (tc) (1) (td) (1) (te) (1) (tf) (1) (tg) (1) (th) (1) (ti) (1) (tj) (1) (tk) (1) (tl) (1) (tm) (1) (tn) (1) (to) (1) (tp) (1) (tq) (1) (tr) (1) (ts) (1) (tt) (1) (tu) (1) (tv) (1) (tw) (1) (tx) (1) (ty) (1) (tz) (1) (ua) (1) (ub) (1) (uc) (1) (ud) (1) (ue) (1) (uf) (1) (ug) (1) (uh) (1) (ui) (1) (uj) (1) (uk) (1) (ul) (1) (um) (1) (un) (1) (uo) (1) (up) (1) (uq) (1) (ur) (1) (us) (1) (ut) (1) (uu) (1) (uv) (1) (uw) (1) (ux) (1) (uy) (1) (uz) (1) (va) (1) (vb) (1) (vc) (1) (vd) (1) (ve) (1) (vf) (1) (vg) (1) (vh) (1) (vi) (1) (vj) (1) (vk) (1) (vl) (1) (vm) (1) (vn) (1) (vo) (1) (vp) (1) (vq) (1) (vr) (1) (vs) (1) (vt) (1) (vu) (1) (vv) (1) (vw) (1) (vx) (1) (vy) (1) (vz) (1) (wa) (1) (wb) (1) (wc) (1) (wd) (1) (we) (1) (wf) (1) (wg) (1) (wh) (1) (wi) (1) (wj) (1) (wk) (1) (wl) (1) (wm) (1) (wn) (1) (wo) (1) (wp) (1) (wq) (1) (wr) (1) (ws) (1) (wt) (1) (wu) (1) (wv) (1) (ww) (1) (wx) (1) (wy) (1) (wz) (1) (xa) (1) (xb) (1) (xc) (1) (xd) (1) (xe) (1) (xf) (1) (xg) (1) (xh) (1) (xi) (1) (xj) (1) (xk) (1) (xl) (1) (xm) (1) (xn) (1) (xo) (1) (xp) (1) (xq) (1) (xr) (1) (xs) (1) (xt) (1) (xu) (1) (xv) (1) (xw) (1) (xx) (1) (xy) (1) (xz) (1) (ya) (1) (yb) (1) (yc) (1) (yd) (1) (ye) (1) (yf) (1) (yg) (1) (yh) (1) (yi) (1) (yj) (1) (yk) (1) (yl) (1) (ym) (1) (yn) (1) (yo) (1) (yp) (1) (yq) (1) (yr) (1) (ys) (1) (yt) (1) (yu) (1) (yv) (1) (yw) (1) (yx) (1) (yz) (1) (za) (1) (zb) (1) (zc) (1) (zd) (1) (ze) (1) (zf) (1) (zg) (1) (zh) (1) (zi) (1) (zj) (1) (zk) (1) (zl) (1) (zm) (1) (zn) (1) (zo) (1) (zp) (1) (zq) (1) (zr) (1) (zs) (1) (zt) (1) (zu) (1) (zv) (1) (zw) (1) (zx) (1) (zy) (1) (zz) (1)