



JST10C-800CW 10A TRIAC

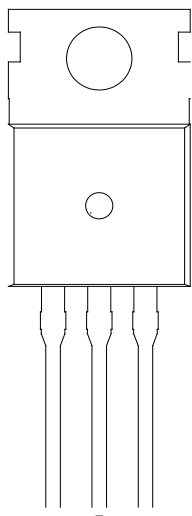
Rev.A.1.1

JST10C-800CW

ORDERING INFORMATION

J	ST	10	C	-800	CW
JieJie Microelectronics Co., Ltd.	Triacs	$I_{T(RMS)}: 10A$	C:TO-220C	800:V _{DRM} /V _{RRM} 800V	CW:IGT1-3 35mA

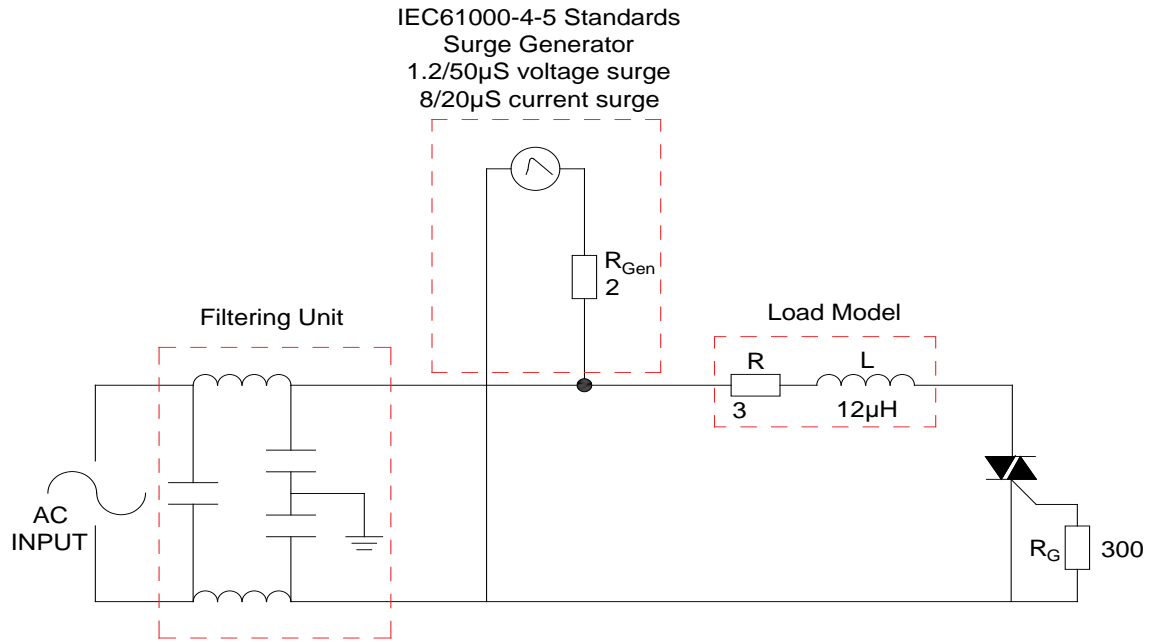
MARKING



JST10C-800CW

JieJie Microelectronics Co., Ltd.

FIG.7 Test circuit for inductive and resistive loads to IEC-61000-4-5 standards



JST10C-800CW

JieJie Microelectronics Co., Ltd.

PACKAGE MECHANICAL DATA



