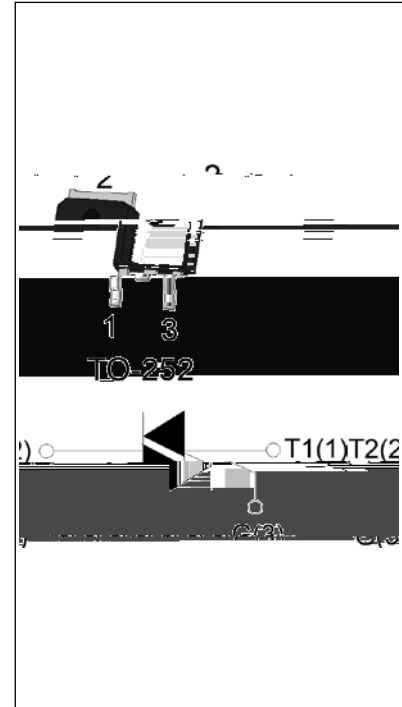


## JST08K-800BW 8A TRIAC

Rev.A.1.2

### DESCRIPTION:

The JST08K-800BW triac is suitable for general purpose AC switching. It can be used as an ON/OFF function in applications such as heating regulation, induction motor starting circuits, for phase control operation in light dimmers, motor speed controllers. JST08K-800BW snubberless triac is especially recommended for use on inductive loads. Package TO-252 is RoHS compliant.

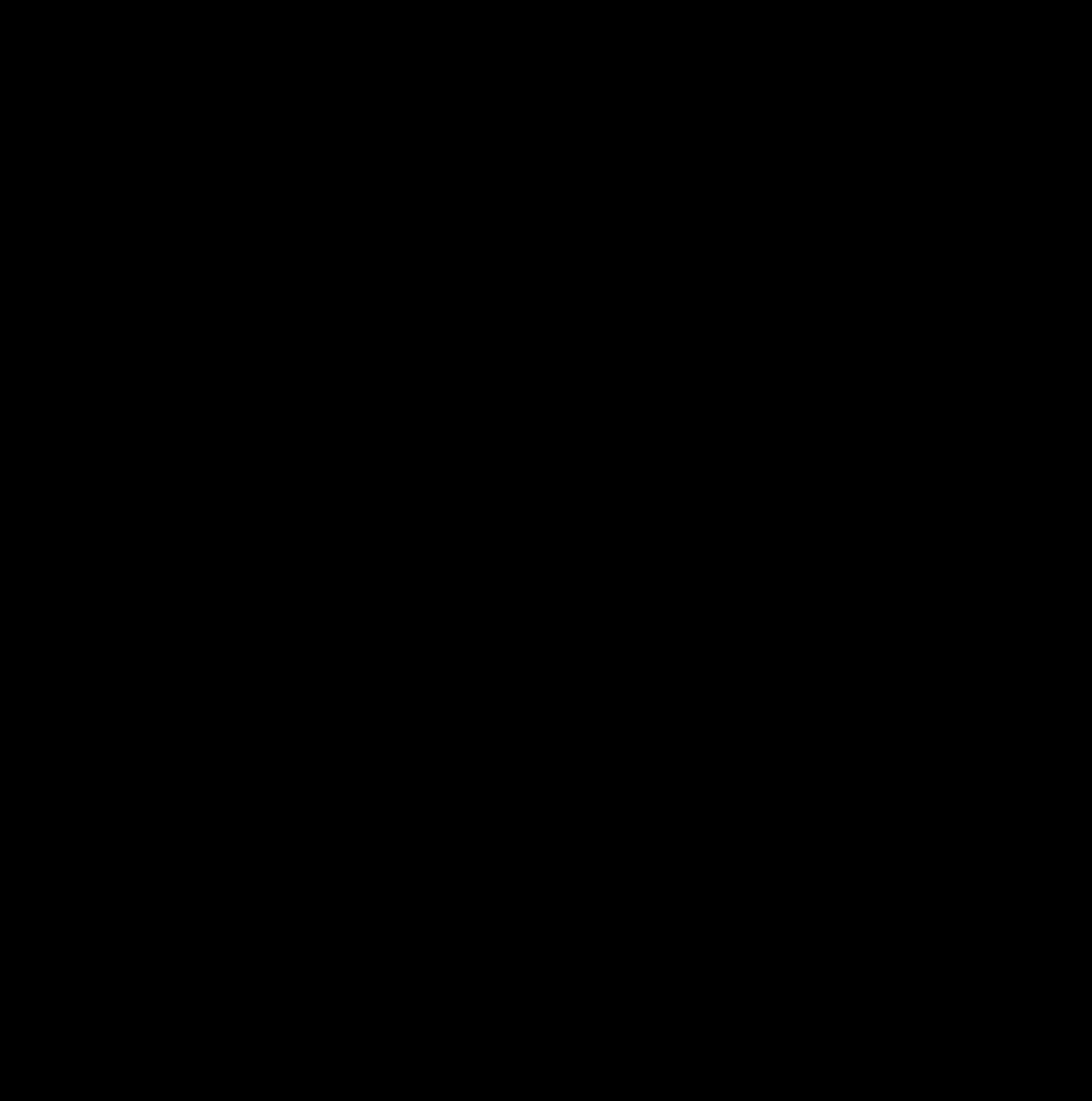


### MAIN FEATURES

Symbol	Value	Unit
$I_{T(RMS)}$	8	A
$V_{DRM}/V_{RRM}$	800	V
$I_{GT} / /$	50/50/50	mA

### ABSOLUTE MAXIMUM RATINGS

Parameter	Symbol	Value	Unit
Storage junction temperature range	$T_{stg}$	-40-150	
Operating junction temperature range	$T_j$	-40-125	
Repetitive peak off-state voltage ( $T_j=25^\circ\text{C}$ )	$V_{DRM}$	800	V
Repetitive peak reverse voltage ( $T_j=25^\circ\text{C}$ )	$V_{RRM}$	800	V
RMS on-state current ( $T_c = 0.91^\circ\text{C}$ )	$I_{T(RMS)}$	8	A
Non repetitive surge peak on-state current (full cycle, $t_p=20\text{ms}$ , $T_j=25^\circ\text{C}$ )	$I_{TSM}$	80	A
Non repetitive surge peak on-state current (full cycle, $t_p=16.6\text{ms}$ , $T_j=25^\circ\text{C}$ )		88	
$I^2t$ value for fusing ( $t_p=10\text{ms}$ , $T_j=25^\circ\text{C}$ )	$I^2t$	32	$\text{A}^2\text{s}$
$\times$	$di/dt$	100	$\text{A/s}$
Peak gate current ( $t_p=20\text{ }\mu\text{s}$ , $T_j=125^\circ\text{C}$ )	$I_{GM}$	4	A
Average gate power dissipation ( $T_j=125^\circ\text{C}$ )	$P_{G(AV)}$	0.5	W
Peak gate power	$P_{GM}$	10	W



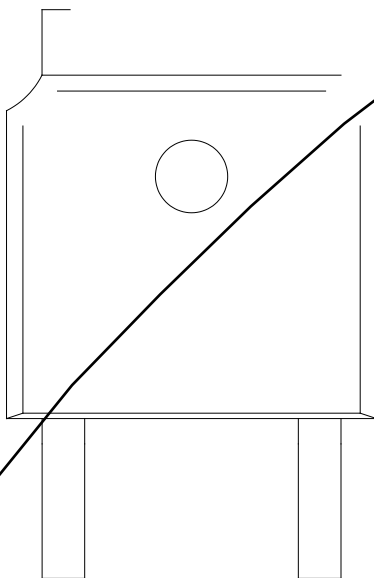
.

OOT

ORDERING INFORMATION

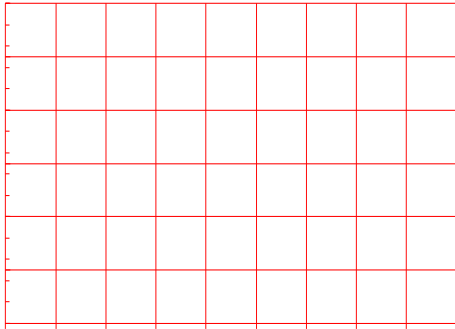
<u>J</u>	<u>ST</u>	<u>08</u>	<u>K</u>	<u>-800</u>	<u>BW</u>	<u>-/</u>
JieJie Microelectronics Co., Ltd.	Triacs	$I_{T(RMS)}:8A$				Blank:Tube -TR:Tape & Reel
			<u>K:TO-252</u>		<u>BW:IGT1-3 50mA</u>	
				<u>800:V<sub>DRM</sub> /V<sub>RRM</sub> 800V</u>		

MARKING



**JST08K-800BW**

**FIG.7:** Relative variations of gate trigger current, holding current and latching current versus junction temperature





**ORDERING INFORMATION**

<b>Order code</b>	<b>Voltage <math>V_{DRM}/V_{RRM}</math> (V)</b>	<b>IGT(mA)</b>	<b>Package</b>	<b>Base qty. (pcs)</b>	<b>Delivery mode</b>
-------------------	---	----------------	----------------	----------------------------	----------------------



DELIVERY MODE

