



JST08E-600TW 8A TRIAC

Peak pulse voltage ($T_j=25$; non-repetitive, off-state; FIG.8)	V_{pp}	1.5	kV
--	----------	-----	----

ELECTRICAL CHARACTERISTICS ($T_j=25$ unless otherwise specified)

Symbol	Test Condition	Quadrant	Value		Unit
I_{GT}	$V_D=12V$ $R_L=33$	- -	MAX.	5	mA
V_{GT}		- -	MAX.	1	V
V_{GD}	$V_D=V_{DRM}$ $T_j=125$ $R_L=3.3k$	- -	MIN.	0.2	V

I_L $I_G=1.2I_{GT}$ - =j.44 (=)Tj 0.00262f 49339596.52 72=44 9

ORDERING INFORMATION

	J	ST	08	E	-600	TW	-/
JieJie Microelectronics Co., Ltd.	Triacs	$I_{T(RMS)}:8A$		E:TO-263		TW:IGT1-3 5mA	Blank:Tube -TR:Tape & Reel
					600:V _{DRM} /V _{RRM} 600V		

MARKING

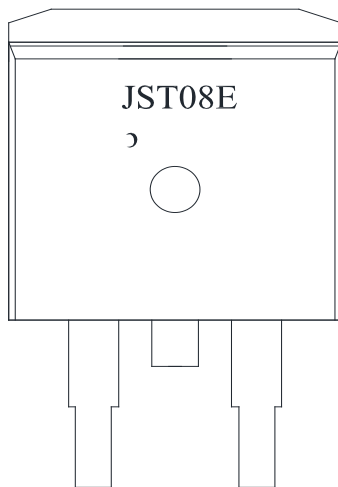


FIG.7: Relative variations of gate trigger current, holding current and latching current versus junction temperature

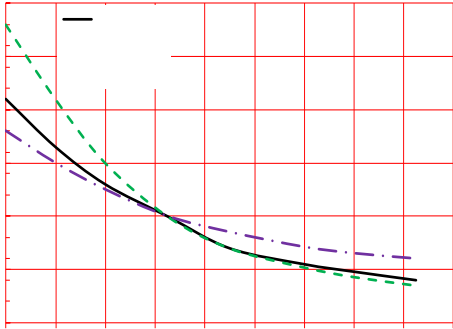
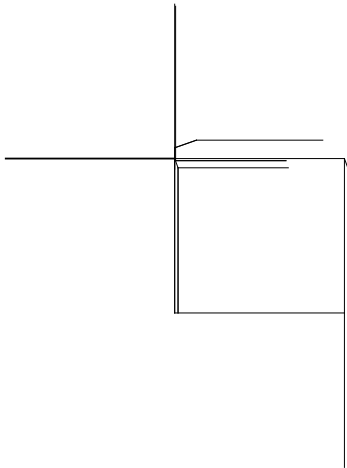


FIG.8 Test circuit for inductive and resistive loads to IEC-

ORDERING INFORMATION

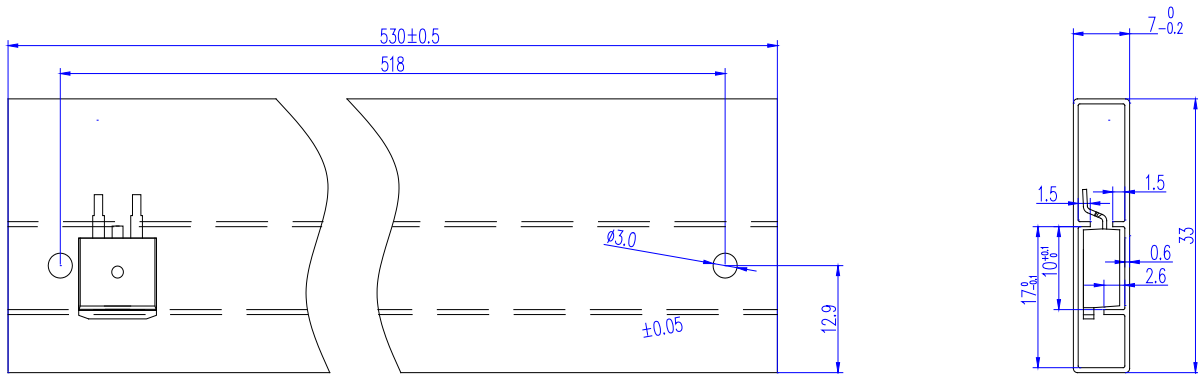
Order code	Voltage V_{DRM}/V_{RRM} (V)					
85214981	ET	0.1.2	730.08	5.16	9 (c)-3.5	24 -0.scn 0 Tc 730.08 5.16 2

PACKAGE MECHANICAL DATA

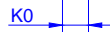
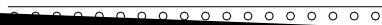


Ref.	Dimensions					
	Millimeters			Inches		
	Min.	Typ.	Max.	Min.	Typ.	Max.
A	9.90		10.20	0.390		0.402
B	14.70		15.80	0.579		0.622
C	9.40		9.60	0.370		0.378
D	2.40			0.094		
E	1.20		1.50	0.047		0.059
F	0.75		0.85	0.029		0.033

DELIVERY MODE



PACKAGE	OUTLINE	TUBE (PCS)	INNER BOX (PCS)	PER CARTON
TO-263	TUBE	50	1,000	5,000



Ref.	Dimensions					
	Millimeters				Inches	
					Typ.	Max.
W	23.70	24.00	24.30	0.933	0.945	0.957
					0.069	0.073
F	11.40	11.50	11.60	0.449	0.453	0.457
D0	-	1.50	1.60	-	0.059	0.063
D1	-	1.50	1.60	-	0.059	0.063
P0	3.90	4.00	4.10	0.154	0.157	0.161
P1	15.90	16.00	16.10	0.626	0.630	0.634
P2	1.90	2.00	2.10	0.075	0.079	0.083
A0	10.80	10.90	11.00	0.425	0.429	0.433
B0	16.20	16.30	16.40	0.638	0.642	0.646
K0	4.80	4.90	5.00	0.189	0.193	0.197
t	0.35	0.40	0.45	0.014	0.016	0.018

