



DESCRIPTION:

The JST06H-600CW triac is suitable for general purpose AC switching. It can be used as an ON/OFF function in applications such as heating regulation, induction motor starting circuits, for phase control operation in light dimmers, motor speed controllers. JST06H-600CW snubberless triac is especially recommended for use on inductive loads. From T2 terminals to external heatsink. Package TO-251 is RoHS compliant.

MAIN FEATURES

ABSOLUTE MAXIMUM RATINGS

Parameter	Symbol	Value	Unit
Storage junction temperature range	T _{stg}	-40-150	
Operating junction temperature range	T _j	-40-125	
Repetitive peak off-state voltage (T _j =25 °C)	V _{DRM}	600	V
Repetitive peak reverse voltage (T _j =25 °C)	V _{RPM}	600	V
RMS on-state current (T _c = 91 °C)	I _{T(RMS)}	6	A

Non repetitive surge peak on-state current (full cycle, I_{DRM}=20A, T_j=25°C) I_{TSM}

I_{TSM}

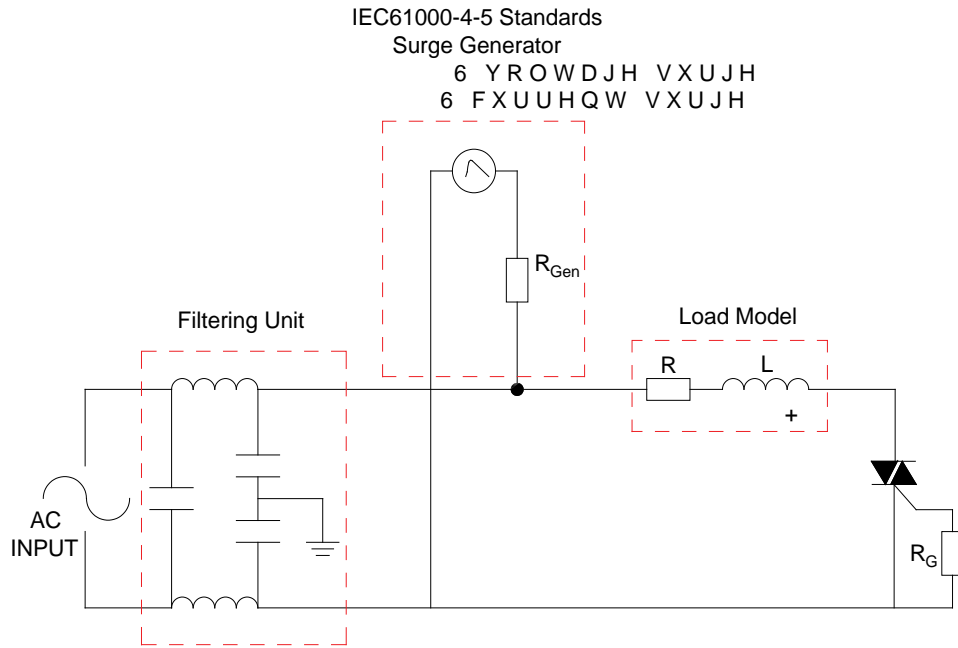
ORDERING INFORMATION

J ST 06 H -600 CW
JieJie Microelectronics Co., Ltd. Triacs

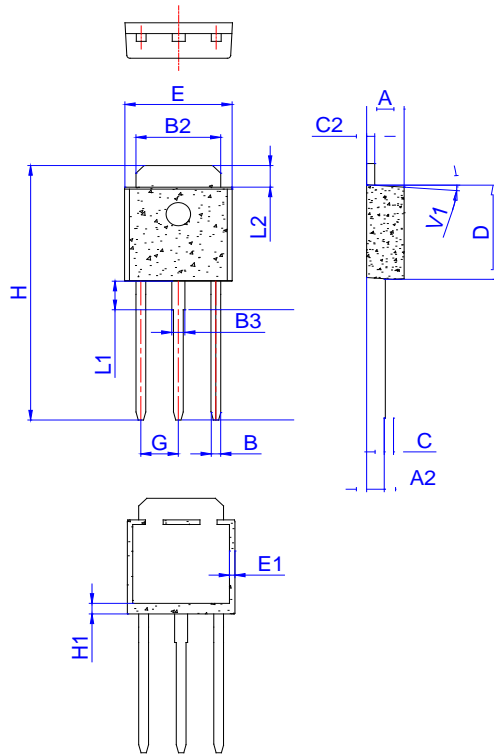
600:V_{DRM} /V₆₀₀

FIG.1:

FIG.7 Test circuit for inductive and resistive loads to IEC-61000-4-5 standards



PACKAGE MECHANICAL DATA



Ref.	Dimensions					
	Millimeters			Inches		
	Min.	Typ.	Max.	Min.	Typ.	Max.
A	2.20		2.40	0.086		0.095
A2	1.00		1.30	0.039		0.051
B	0.50		0.70	0.020		0.028
B2	5.10		5.40	0.200		0.213
B3						
C						
C2						
D						
E						
E1	0.60		1.00	0.024		0.039
F						
G						
H	16.00		17.00	0.630		0.669
H1	1.45		1.85	0.057		0.073
I						
L1						

Information furnished in this document is believed to be accurate and reliable. However,