



## JST04C-600BW 4A TRIAC

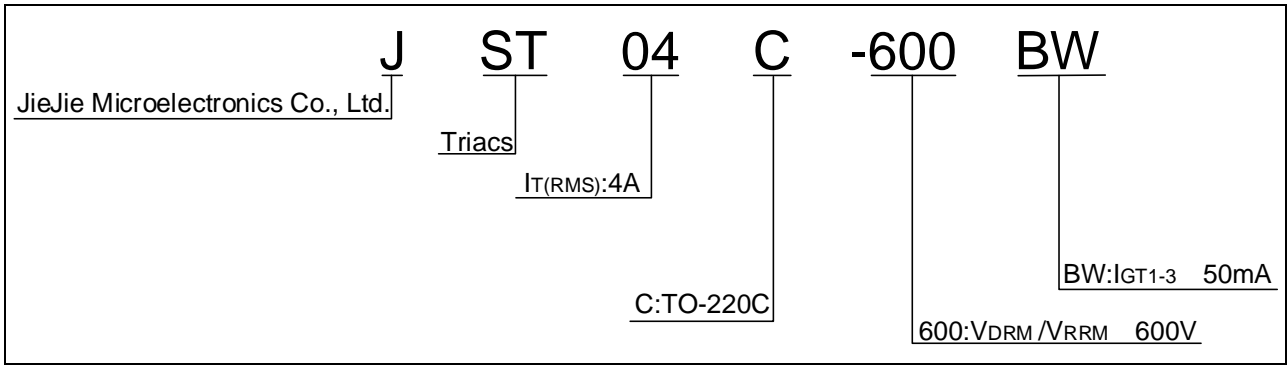
Rev.A.1.1

The JST04C-600BW triac is suitable for general purpose AC switching. It can be used as an ON/OFF function in applications such as heating regulation, induction motor starting circuits, for a (c)4 (o)10 ((t)2 (r)7 oal)6 ((o)10 pe(r)7 ((t)2 (i)6 (on i)6 (npl)6 (i)6 ng)10 h(t)2 (

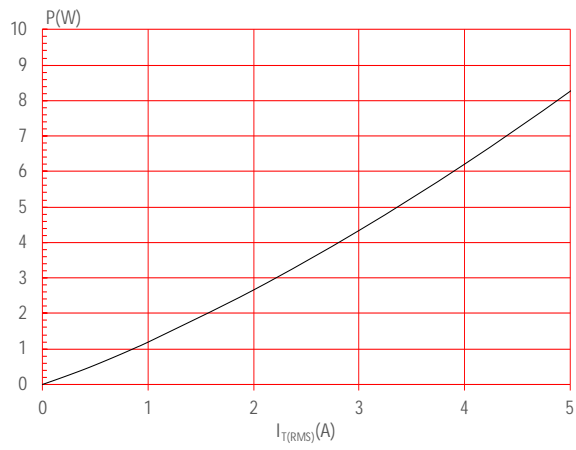
Peak pulse voltage ( $T_j=25$ ; non-repetitive, off-state; FIG.7)	$V_{pp}$	4	kV
--	----------	---	----

( $T_j=25$  unless otherwise specified)

Symbol	Test Condition	Quadrant	Value		Unit
$I_{GT}$	$V_D=12V$ $R_L=33$	- -	MAX.	50	mA
$V_{GT}$			MAX.	1	V
$V_{GD}$	$R_L=3.3k$		MIN.	0.2	V
$I_L$	$I_G=1.2I_{GT}$		MAX.	70	mA



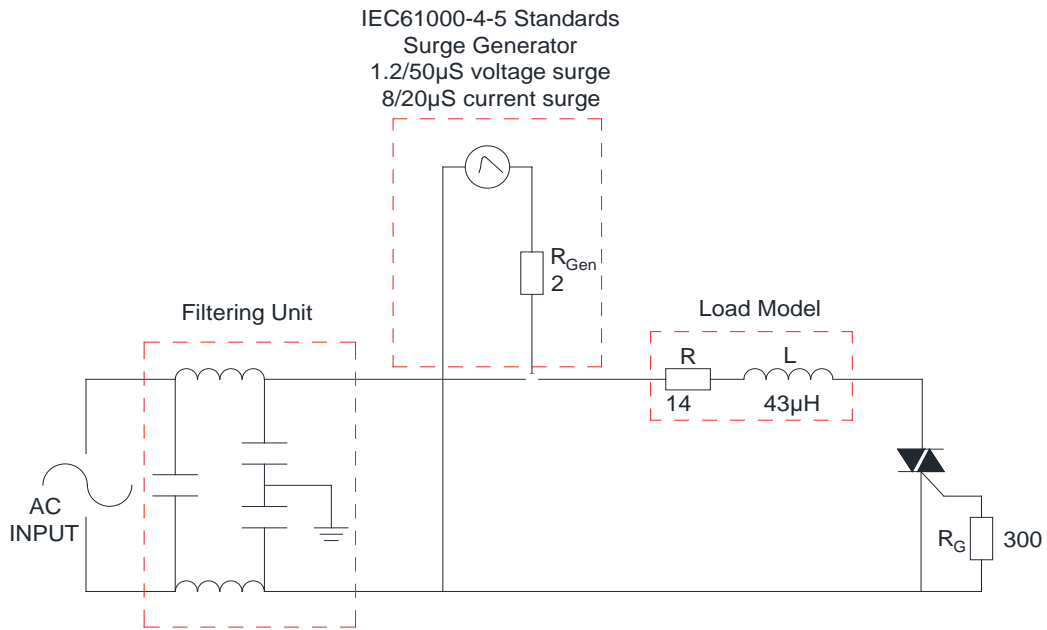
**FIG.1:** Maximum power dissipation versus RMS on-state current



**FIG.2:** RMS on-state current versus case temperature



FIG.7 Test circuit for inductive and resistive loads to IEC-61000-4-5 standards



Order code	Voltage $V_{DRM}/V_{RRM}$ (V)	IGT(mA)	Package	Base qty. (pcs)	Delivery mode
		- -			
<b>JST04C-600BW</b>	<b>600</b>	<b>50</b>	<b>TO-220C</b>	<b>50</b>	<b>Tube</b>



