



ELECTRICAL CHARACTERISTICS (unless otherwise specified)

Symbol	Test Condition	Quadrant	Value		Unit
I <sub>GT</sub>	V <sub>D</sub> =12V R <sub>L</sub> =33	- -	MAX.	5 10	mA

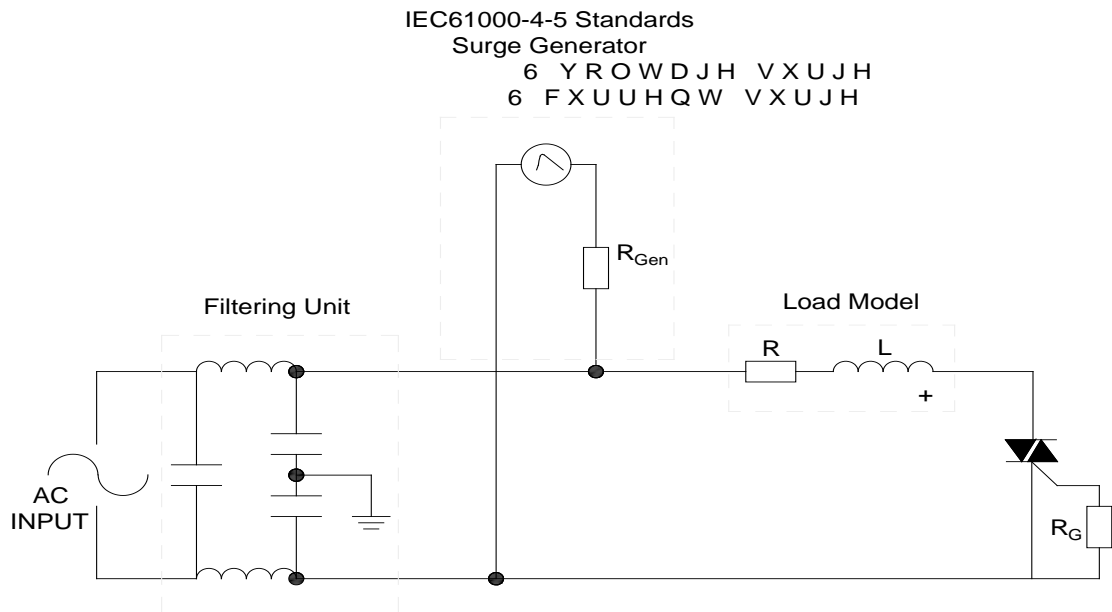
97A6

FIG.5: On-state characteris



1  
, 12t  
\$ )V

FIG.8 ÖTest circuit for inductive and resistive loads to IEC-61000-4-5 standards

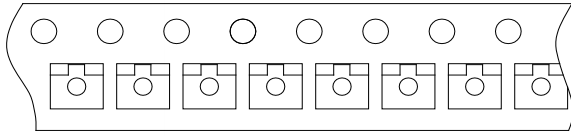


ORDERING INFORMATION

Order code	Voltage $V_{DRM}/V_{RRM}$ (V)	$I_{GT}$ (mA)	Package	
------------	----------------------------------	---------------	---------	--



DELIVERY MODE



Information furnished in this document is believed to be accurate and reliable. However, Jiangsu JieJie Microelectronics Co., Ltd. assumes no responsibility for the consequences