



T0835H-8E 8A TRIAC

Rev.A.1.1

## DESCRIPTION:

The T0835H-8E triac is suitable for general purpose AC switching. It can be used as an ON/OFF function in applications such as heating regulation, induction motor starting circuits, for phase control operation in light dimmers, motor speed controllers. Compared to traditional triacs, T0835H-8E provides a very high switching capability up to junction temperatures of 150°C. Package TO-263 is RoHS compliant.

## MAIN FEATURES

## ABSOLUTE MAXIMUM RATINGS

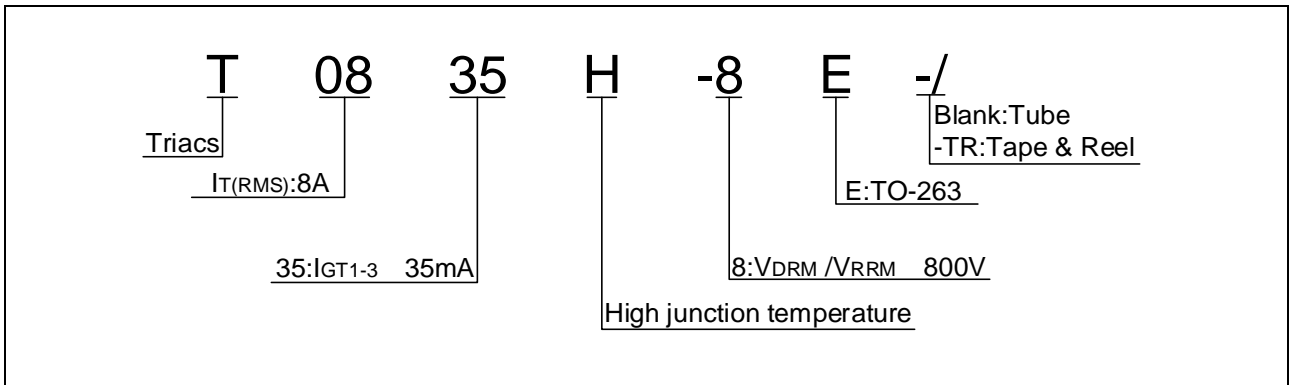
| Parameter                            | Symbol    | Value   | Unit |
|--------------------------------------|-----------|---------|------|
| Storage junction temperature range   | $T_{stg}$ | -40-150 |      |
| Operating junction temperature range | $T_j$     | -40-150 | °C   |

|  |          |   |    |
|--|----------|---|----|
| Peak pulse voltage<br>( $T_j=25$ ; non-repetitive, off-state; FIG.8) | $V_{pp}$ | 3 | kV |
|--|----------|---|----|

## ELECTRICAL CHARACTERISTICS (unless otherwise specified)

Symbol

ORDERING INFORMATION



MARKING

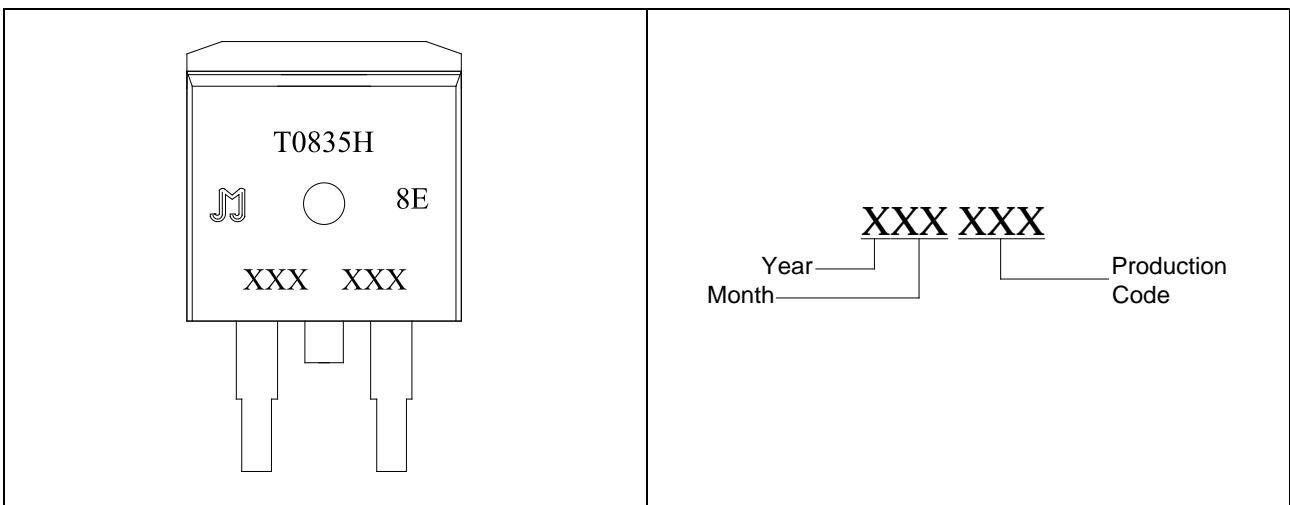


FIG.1: Maximum power dissipation versus RMS on-state current

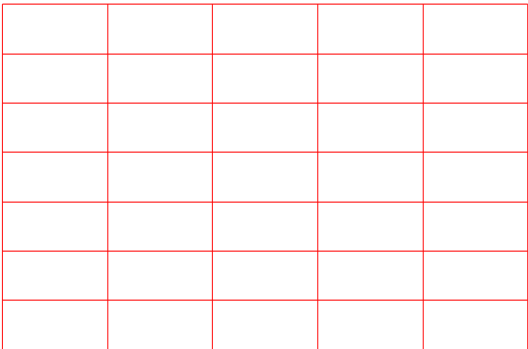


FIG.2: RMS on-state current versus case temperature (RMS)

FIG.7: Relative variations of gate trigger current, holding current and latching current versus junction temperature

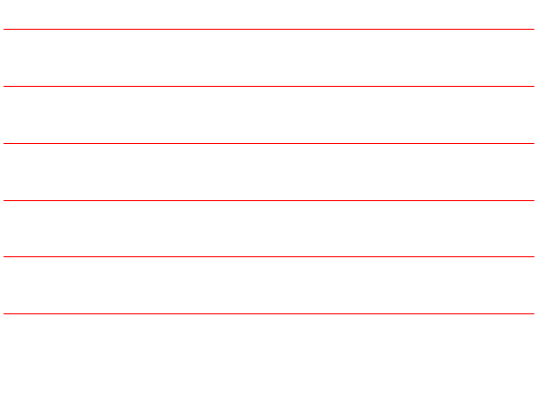
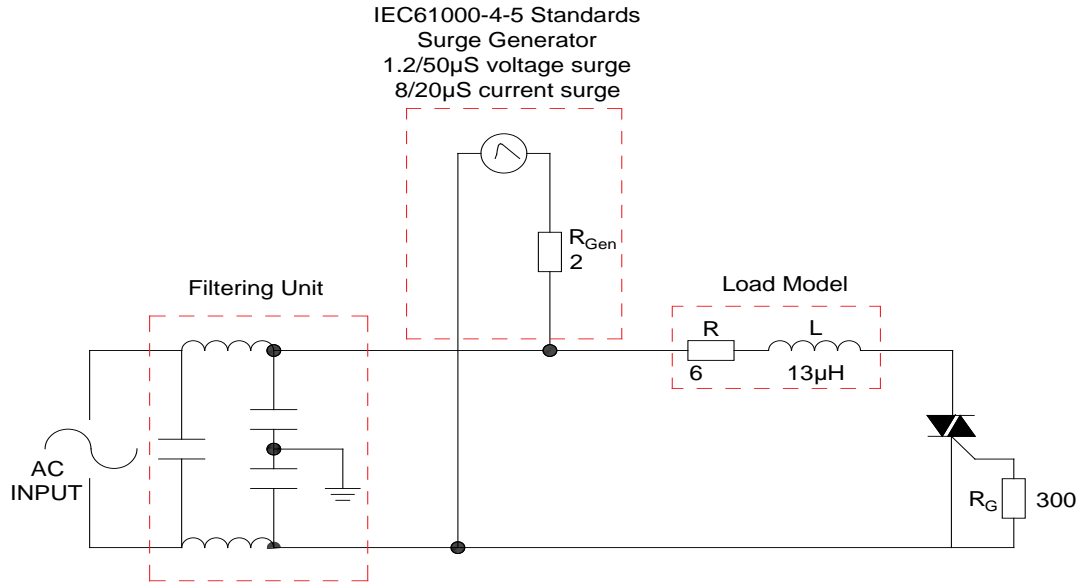


FIG.8 Test circuit for inductive and resistive loads to IEC-61000-4-5 standards



ORDERING INFORMATION

| Order code | Voltage<br>$V_{DRM}/V_{RRM}$ (V) | IGT(mA) | Package       | Base qty.<br>(pcs) | Delivery mode |
|------------|----------------------------------|---------|---------------|--------------------|---------------|
| T0835H-8E  | 800                              | 35      | TO-<br>- 35H- |                    |               |

PACKAGE MECHANICAL DATA

| Ref. | Dimensions  |      |       |        |      |       |
|------|-------------|------|-------|--------|------|-------|
|      | Millimeters |      |       | Inches |      |       |
|      | Min.        | Typ. | Max.  | Min.   | Typ. | Max.  |
| A    | 9.90        |      | 10.20 | 0.390  |      | 0.402 |
| B    | 14.70       |      | 15.80 | 0.579  |      | 0.622 |
| C    | 9.40        |      | 9.60  | 0.370  |      | 0.378 |
| D    | 2.40        |      |       | 0.094  |      |       |
| E    | 1.20        |      | 1.50  | 0.047  |      | 0.059 |
| F    | 0.75        |      | 0.85  | 0.029  |      | 0.033 |
|      |             |      |       |        |      |       |
|      |             |      |       |        |      |       |



