



JX020Q 2A Sensitive SCR

Rev. A. 1.0

DESCRIPTION:

The JX020Q SCR provides high  $dv/dt$  rate with strong resistance to electromagnetic interference. It is especially recommended for use on residual current circuit breaker, straight hair, igniter etc. Package T026 is RoHS compliant.

MAIN FEATURES

Symbol	Value	Unit
$I_{T(RMS)}$	2	A
$V_{DRM} / V_{RRM}$	600	V
$I_{GT}$	m200	A

ABSOLUTE MAXIMUM RATINGS

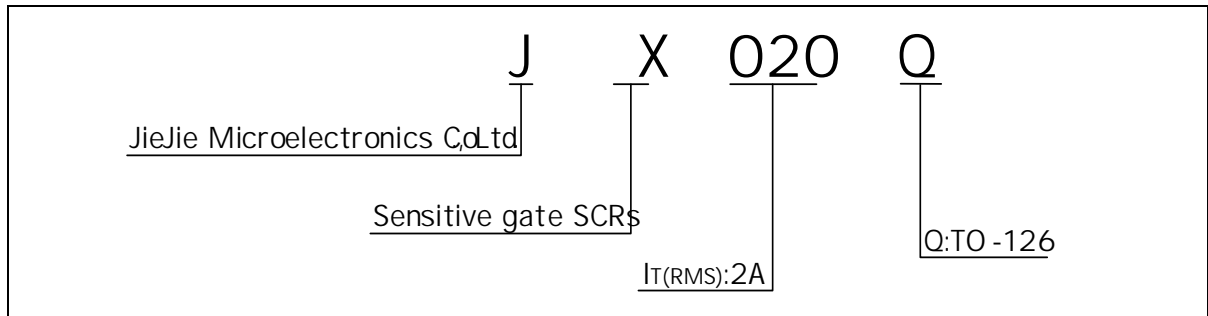
Parameter	Symbol	Value	Unit
Storage junction temperature range			
Operating junction temperature range	$T_j$	-40~125 <sup>7</sup>	
Repetitive peak off-state voltage (T25 )	$V_{DRM}$	600	V



Peak gate power	$P_{GM}$	2	W
Peak pulse voltage ( $T_j=25$ ; non-repetitive, off-state; FIG.7)	$V_{pp}$	0.5	kV

NOTE 1: Operating junction temperature is up to 125 when a resistor 1k is connected between Gate and Cathode. Without this resistor, the  $T_j$  is up to 110

ORDERING INFORMATION



MARKING

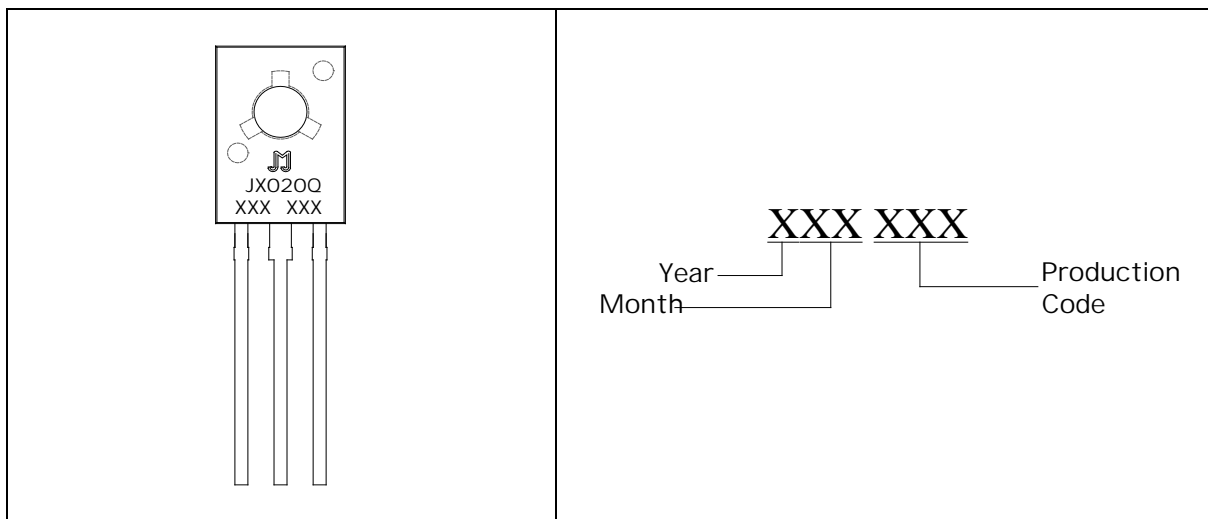


FIG.1 : Maximum power dissipation versus RMS on-state current

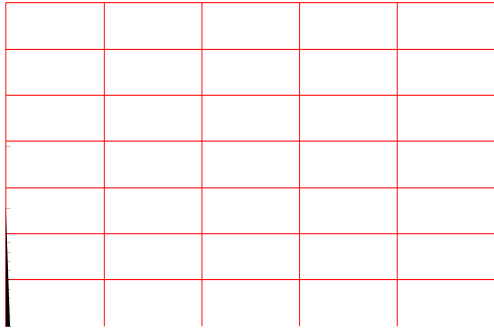


FIG.2: RMS on-state current versus case temperature

FIG.7 Test circuit for inductive and resistive loads to 100-5 standards



## ORDERING INFORMATION

Order code	Voltage $V_{\text{DRM}}/V_{\text{RRM}}$ (V)	IGT )	Package	Base qty. (pcs)	Delivery mode
JX020Q	600		TO-126	500	Bulk Pack

## Document Revision History

Date	Revision	Changes
Apr.12, 2023	A.1.0	Last update



Information furnished in this document is believed to be accurate and reliable. However, Jiangsu JieJie Microelectronics Co.,Ltd assumes no responsibility for the consequences of use without consideration for such information nor use beyond it. Information mentioned in this document is subject to change without notice, apart from that when an agreement is signed, Jiangsu JieJie complies with the agreement.

Products and information provided in this document have no infringement of patents. Jiangsu JieJie assumes no responsibility for any infringement of other rights of third parties which may result from the use of such products and information.