



JX012V 1A 1200V High dV/dt Rate Triac

Rev.A.1.1

### DESCRIPTION

The JX012V 1A 1200V High dV/dt Rate Triac has high dV/dt rate with strong resistance to electromagnetic interference. It is recommended for use on residual current circuit breaker, straight hair, igniter etc. The product is RoHS compliant.

### MAIN FEATURES

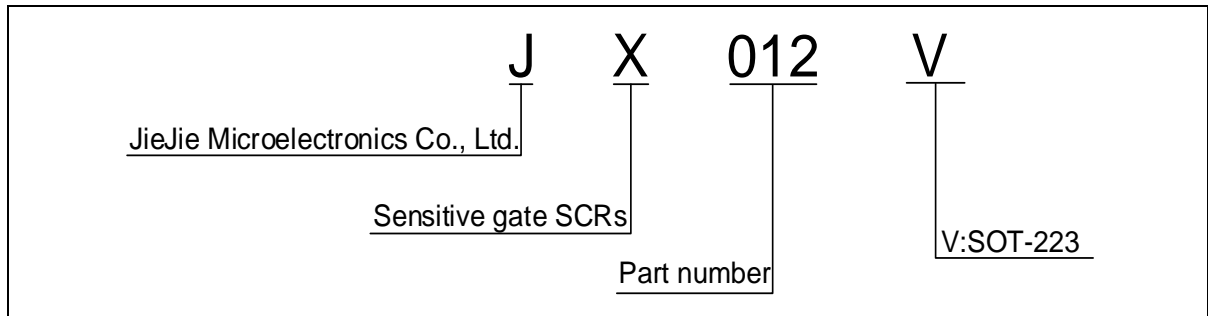
Symbol	Value	Unit
$I_{T(RMS)}$	1.25	A
$V_{DRM} / V_{RRM}$	1200	V

Peak gate power	$P_{GM}$	2	W
Peak pulse voltage ( $T_j=25$ ; non-repetitive,off-state;FIG.8)	$V_{pp}$	1	kV

**ELECTRICAL CHARACTERISTICS** ( $T_j=25$  unless otherwise specified)

Symbol	Test Condition	Value			Unit
		MIN.	TYP.	MAX.	
$I_{GT}$	$V_D=12V R_L=33$	-	50	200	A
$V_{GT}$		-	0.6	0.8	V

ORDERING INFORMATION



MARKING

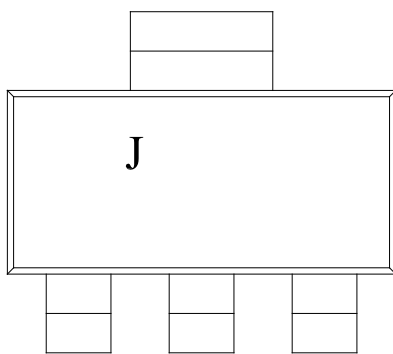




FIG.7: Relative variations of gate trigger current, holding current and latching current versus junction temperature

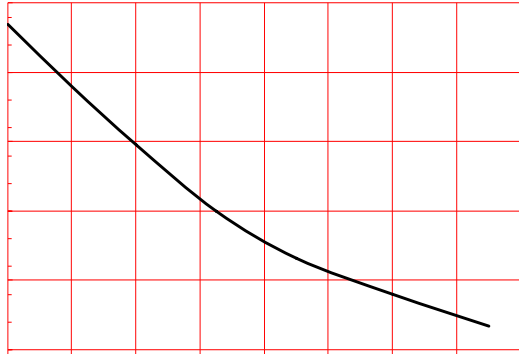
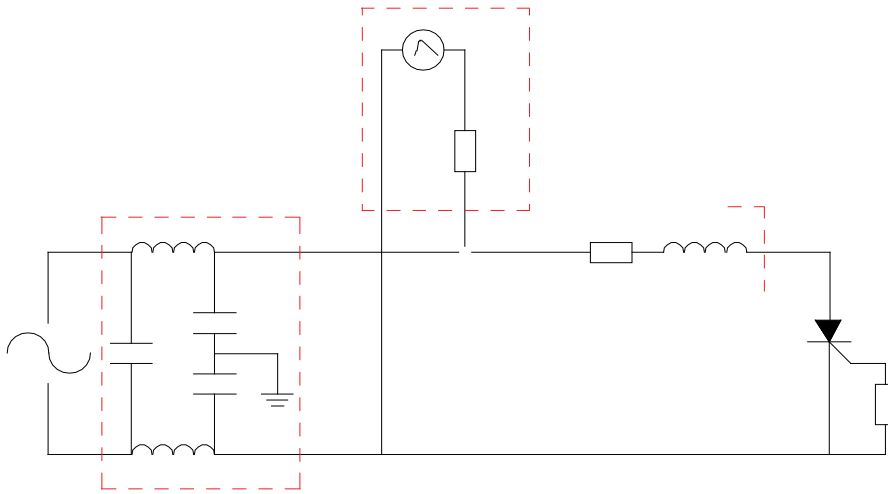


FIG.8 ÖTest circuit for inductive and resistive loads to IEC-61000-4-5 standards.





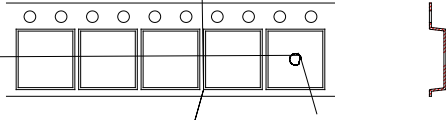
## PACKAGE MECHANICAL DATA

Ref.	Dimensions					
	Millimeters			Inches		
	Min.	Typ.	Max.	Min.	Typ.	Max.
A	1.50		1.80	0.059.6 (MF-0.6 ((.9)5.5 (0		
	2.90		3.10			
	0.60		0.80			

H

J

DELIVERY MODE



Ref.	Dimensions					
	Millimeters			Inches		
	Min.	Typ.	Max.	Min.	Typ.	Max.
W	-		12.30	-		0.482
E	1.65	1.75	1.85	0.065	0.069	0.073
F	5.45	5.50	5.55	0.215	0.217	0.219
D0		1.55	1.60		0.061	0.063
D1		-	-			
P0	3.90	4.00	4.10	0.154	0.157	0.161
P1	7.90	8.00	8.10	0.311	0.315	0.319
P2	1.95	2.00	2.05	0.077	0.079	0.081
10P0	39.80	40.00	40.20	1.567	1.575	1.583
A0	6.85	6.95	7.05	0.269	0.273	0.276
B0	7.15	7.25	7.35	0.280	0.284	0.288
K0	1.95	2.05	2.15	0.076	0.080	0.084
T	0.20	0.25	0.30	0.008	0.010	0.012

