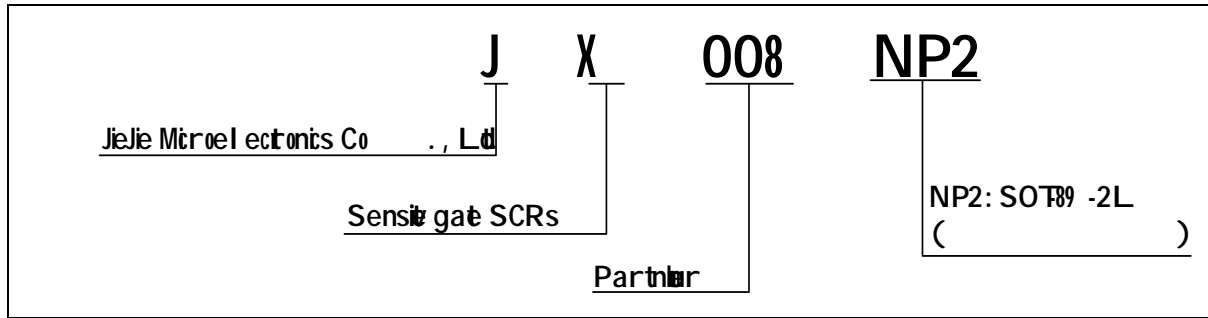


ORDERING INFORMATION



MARKING

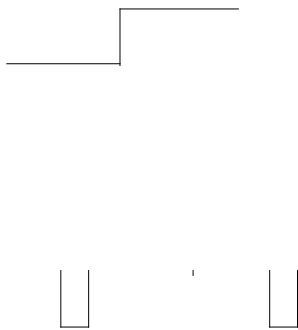


FIG.7: Reliability characteristics of gate trigger current, holding current and latching current versus junction temperature



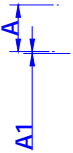
ORDERING INFORMATION

Order code	Voltage V_{DRM}/V_{RRM} (V)	IGT μ s	Package	Base qty. (pcs)	Delivery mode
JX008NP2	800	200	SOT-89-2L	4,000	Tape & Reel

Document Revision History

Date	Revision	Changes
Apr.12, 2023	A.1. 0	Last update
Oct 16, 2025	A. 1. 1	Revised PACKAGE MECHANICAL DATA

PACKAGE MECHANICAL DATA



DELIVERY MODE

Ref.	Dimensions					
	Millimeters			Inches		
	Min.	Typ.	Max.	Min.	Typ.	Max.
E	1.65	1.75	1.85	0.065	0.069	0.073
F	5.45	5.50	5.55	0.215	0.217	0.219
P2	1.90	2.00	2.10	0.075	0.079	0.082
D	-	1.50	1.60	-	0.059	0.063
D1	1.50			0.059		
P0	3.90	4.00	4.10	0.154	0.157	0.161
10P0	39.80	40.00	40.20	1.570	1.583	1.583
W			12.30	0.484	0.485	0.488
P	7.90	8.00	8.10			
A0	5.20	5.30	5.40			K0
B0	4.80	4.90	5.00	0.189	0.193	0.196
K0	1.75	1.85	1.95			
t	0.20	0.25	0.30			5°
		3°	5°			

