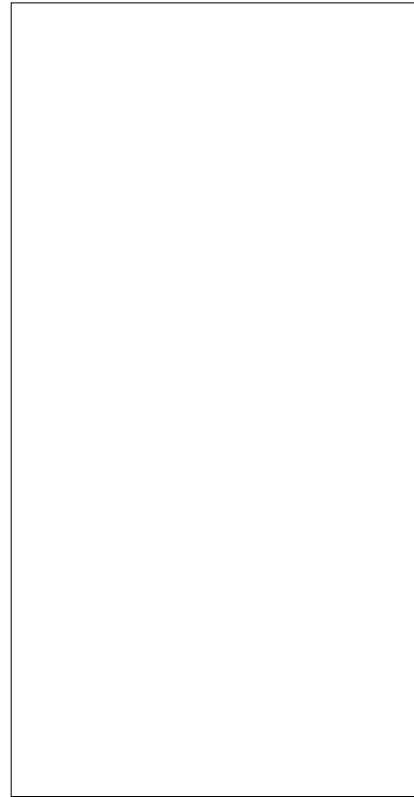


JCT655Z 55A SCR

Rev.A.1.1

## DESCRIPTION:

With high ability to withstand the shock loading of large current, JCT655Z SCR provides high  $dV/dt$  rate with strong resistance to electromagnetic interference. It is especially recommended for use on solid state relay, motorcycle, power charger, T-tools etc. From all three terminals to external heatsink, JCT655Z provides a rated insulation voltage of 2500  $V_{RMS}$ , complying with UL standards (File ref: E252906). Package TO-3P is RoHS compliant.



## MAIN FEATURES

## ABSOLUTE MAXIMUM RATINGS

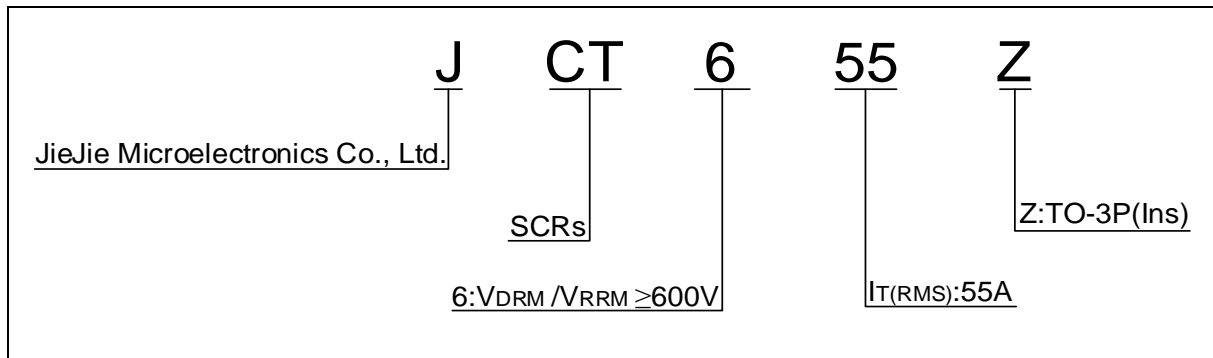
Parameter	Symbol	Value	Unit
Storage junction temperature range	$T_{stg}$	-40-150	
Operating junction temperature range	$T_j$	-40-125	
Repetitive peak off-state voltage ( $T_j=25^\circ C$ )	$V_{DRM}$	600	V
Repetitive peak reverse voltage ( $T_j=25^\circ C$ )	$V_{RRM}$	600	V
Average on-state current ( $T_c 060^\circ C$ )	$I_{T(AV)}$	35	A
RMS on-state current ( $T_c 060^\circ C$ )	$I_{T(RMS)}$	55	A
Non repetitive surge peak on-state current ( $t_p=10ms, T_j=25^\circ C$ )	$I_{TSM}$	700	A
Non repetitive surge peak on-state current ( $t_p=8.3ms, T_j=25^\circ C$ )		750	

$I^2t$  value for fusing ( $t_p=10ms, T_j=25^\circ C$ )

$I^2t_{tt} [(t.)1102 T.72 254.64 [(t) 0.00m [( 0.7>T_j2$



ORDERING INFORMATION



MARKING

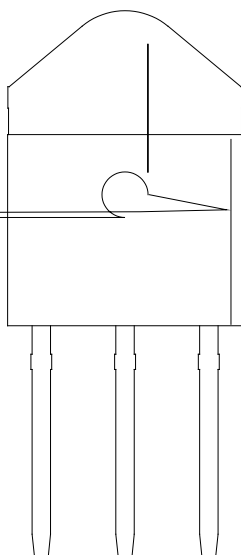


FIG.1: Maximum power dissipation versus RMS on-state current

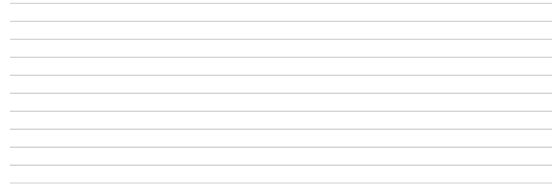
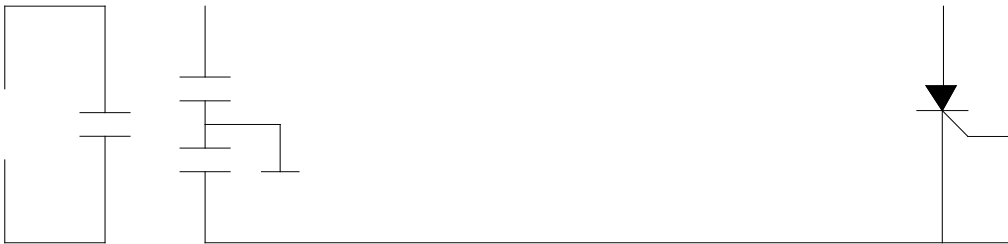


FIG.2: RMS on-state current versus case temperature

FIG.7 ÖTest circuit for inductive and resistive loads to IEC-61000-4-5 standards.



## ORDERING INFORMATION

Order code	Voltage $V_{DRM}/V_{RRM}$ (V)	IGT(mA)	Package	Base qty. (pcs)	Delivery mode
JCT655Z	600	10-50	TO-3P(Ins)	30	Tube

## Document Revision History

Date	Revision	Changes
Apr.13, 2023	A.1	



JCT655Z

JieJie M