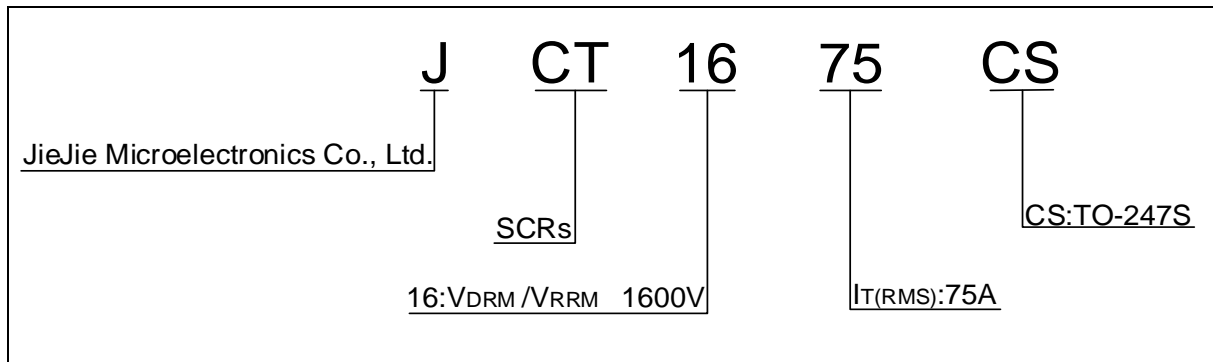


JIEJIE MICROELECTRONICS CO., LTD.

---

Peak gate power		$P_{GM}$	22	W
Peak pulse voltage ( $T_j=25^\circ C$ , non-repetitive, off- I	2	( )	2	( a

ORDERING INFORMATION



MARKING

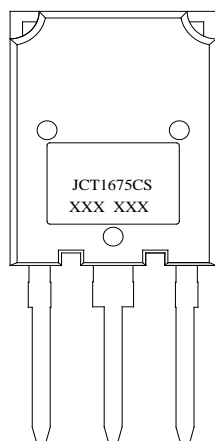
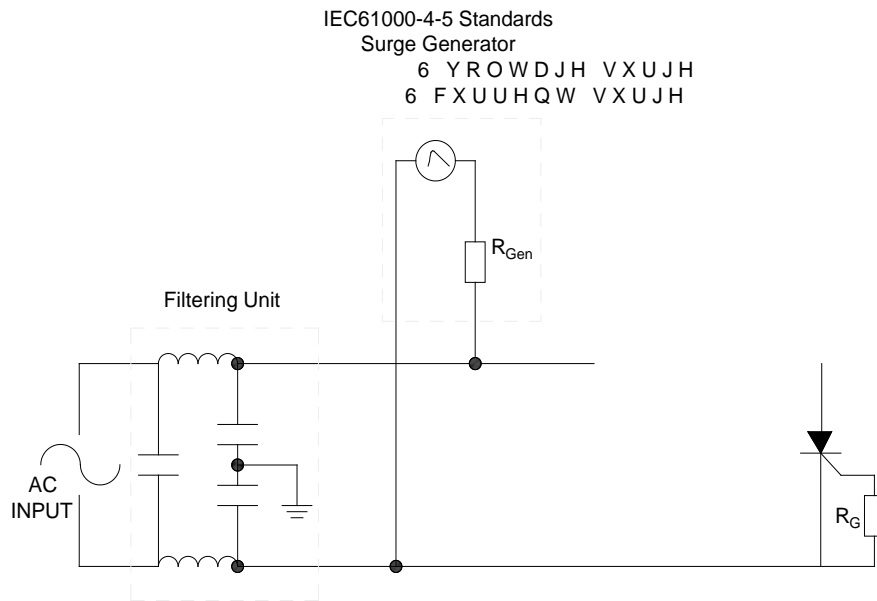


FIG.1: Maximum power dissipation versus  
RMS on-state current

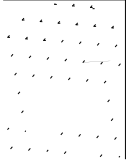
FIG.2: RMS on-state current versus case  
temperature

FIG.7 ÖTest circuit for inductive and resistive loads to IEC-61000-4-5 standards.





PACKAGE MECHANICAL DATA



JCT1675CS

JieJie M