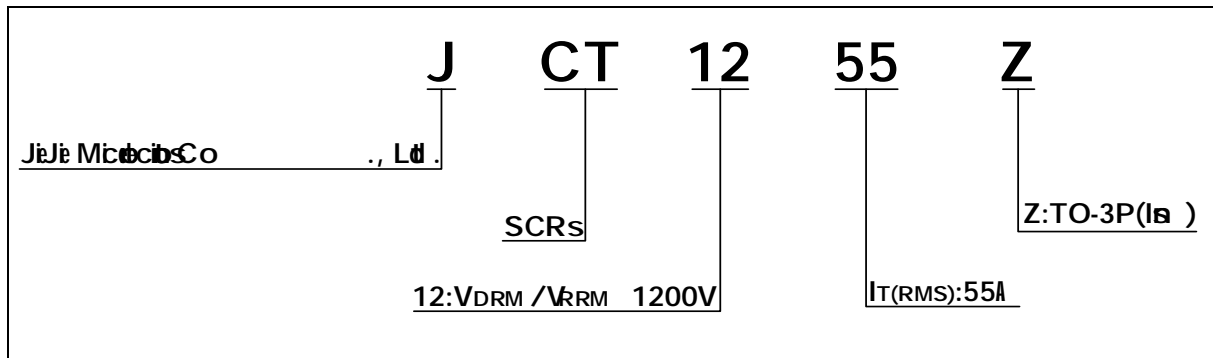


LTD.

# JCT1255Z

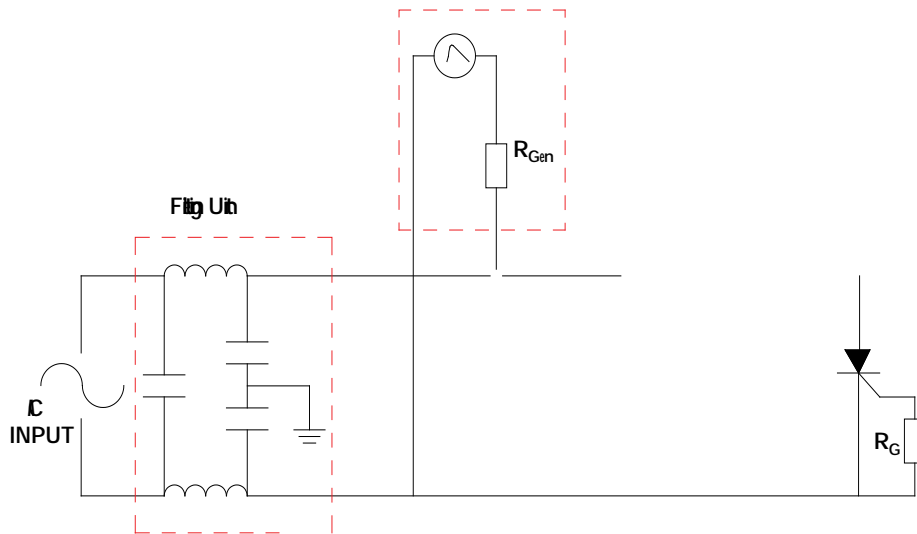
Peak gate current ( $t_p=20 \mu s$ , $T_j=125^\circ C$ )	$I_{GM}$	10	A
Large gate pulse ( $T_j=125^\circ C$ )	$P_{GM}$	1	W
Peak gate power	$P_{GM}$	20	W

ORDERING INFORMATION





IEC61000-4-5 Standards  
Sp Gen





PACKAGE MECHANICAL DATA



