

Peak pulse ($T_j=25$; ;FIG.7)	V_{pp}
------------------------------------	----------

ELECTRICAL CHARACTERISTICS (T_j=25 unless otherwise specified)

Symbol	Quadrant	
I _{GT}	- -	MAX.
V _{GT}	- -	MAX.
V _{GD}	- -	MIN.
I _L	-	MAX.
I _H		MAX.
dV/dt	T _j =125	MIN.
(dl/dt) _c	125	MIN.
t _{on}	R=20mA	TYP.
t _{off}		
V _{CL}		MIN.

STATIC CHARACTERISTICS

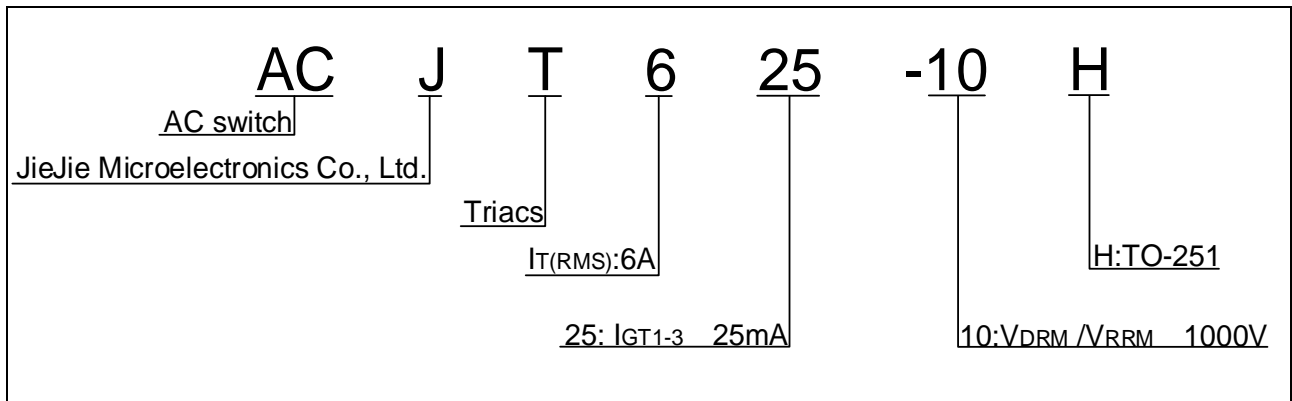
Symbol	Parameter	
V _{TM}		T _j =25
V _{TO}		T _j =125
R _D		T _j =125
I _{DRM}		T _j =25
I _{RRM}	V _D =V _{DRM} V _R =V _R RM	T _j =125

G

G



ORDERING INFORMATION



MARKING

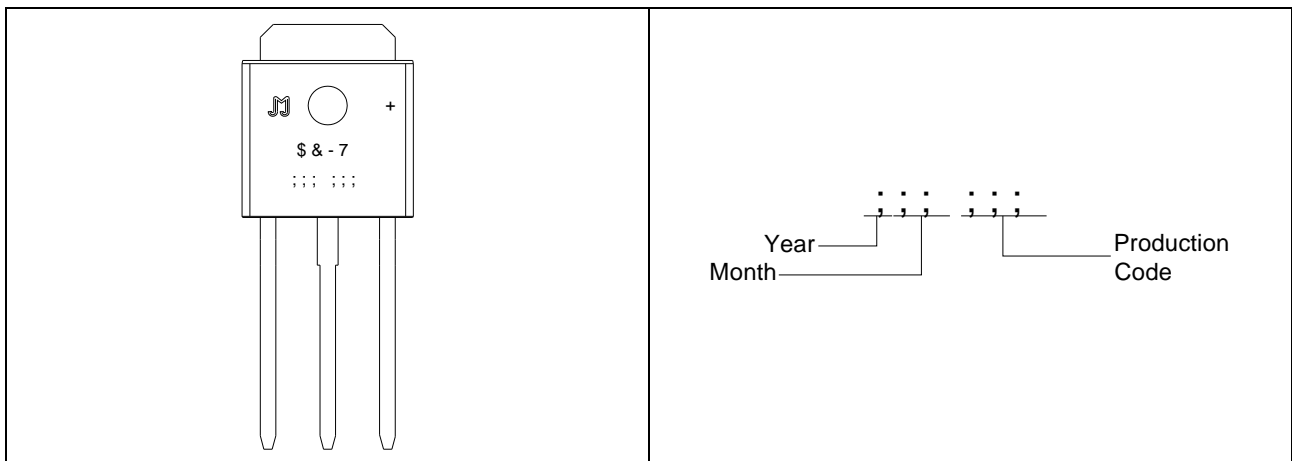


FIG.1: Maximum power dissipation versus RMS on-state current

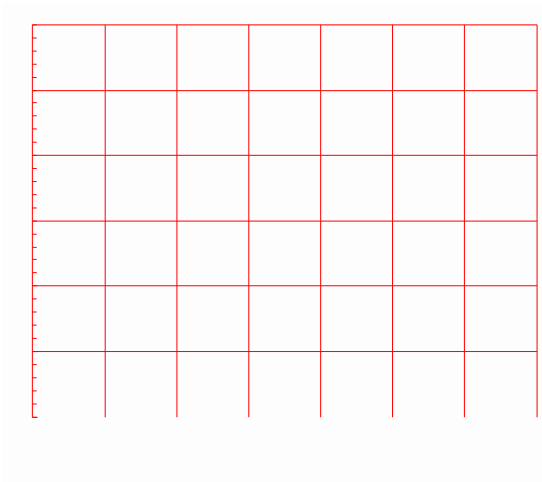
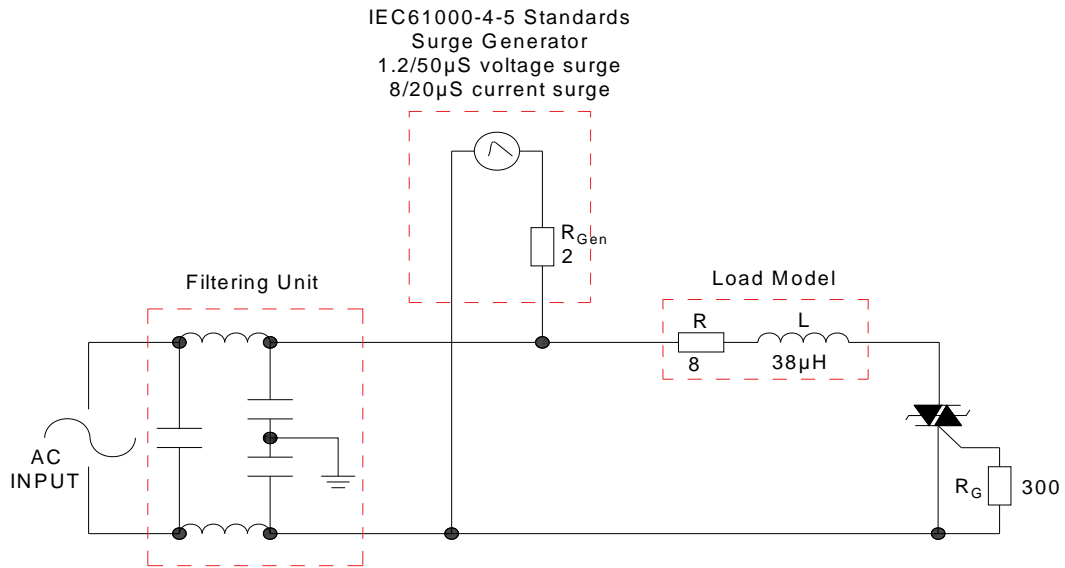


FIG.2: RMS on-state current versus case temperature

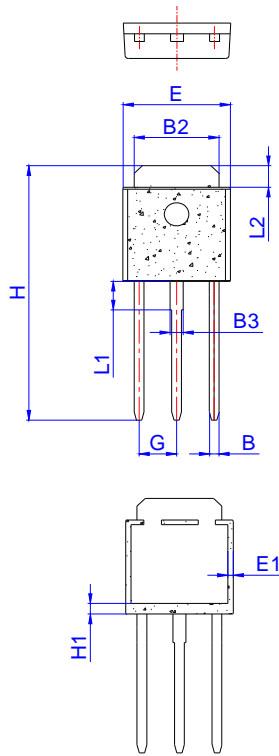
FIG.7 Test circuit for inductive and resistive loads to IEC-61000-4-5 standards



LEAD FORMING AND SOLDERING

Refer to the application note “Assembly Instructions for Thyristors in Through-hole Package” released by JieJie

PACKAGE MECHANICAL DATA



Ref.	Dimensions					
	Millimeters			Inches		
	Min.	Typ.	Max.	Min.	Typ.	Max.
A	2.20		2.40	0.086		0.095
A2	1.00		1.30	0.039		0.051
B	0.50		0.70	0.020		0.028
B2	5.10		5.40	0.200		0.213
B3						
C						
C2						
D						
E						
E1	0.60		1.00	0.024		0.039
G						
H	16.00		17.00	0.630		0.669
H1	1.45		1.85	0.057		0.073
L1						

Information furnished in this document is believed to be accurate and reliable. However, Jiangsu JieJie Microelectronics Co., Ltd. assumes no responsibility for the consequences of use without consideration for such information nor use beyond it. Information mentioned in this document is subject to change without notice, apart from that when an agreement is signed, Jiangsu JieJie complies with the agreement.

Products and information provided in this document have no infringement of patents.

Jiang Ä Å spon