

D.

A.1.1

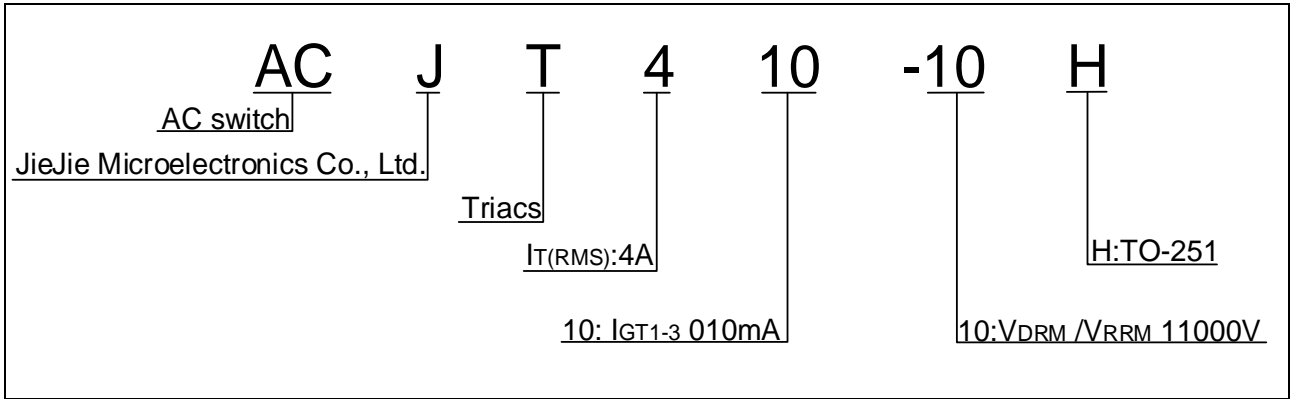
| |
|--|
| |
|--|

| |
|----|
| it |
| |
| |
| |
| |
| |
| |
| |
| S |
| US |
| |
| / |
| / |

Peak pulse voltage
($T_j=25$; non-repetitive,off-state;FIG.7)

V

ORDERING INFORMATION



MARKING

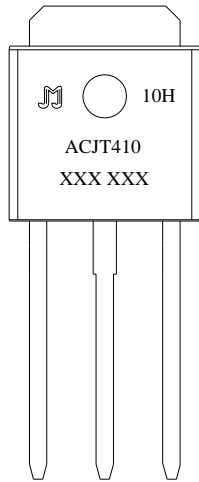


FIG.1: Maximum power dissipation versus RMS on-state current

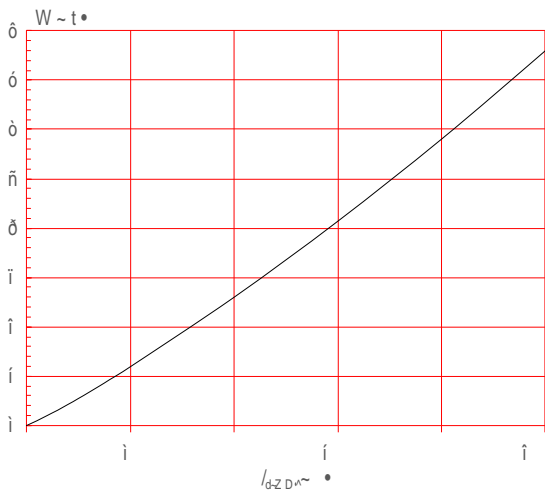


FIG.2: RMS on-state current versus case temperature

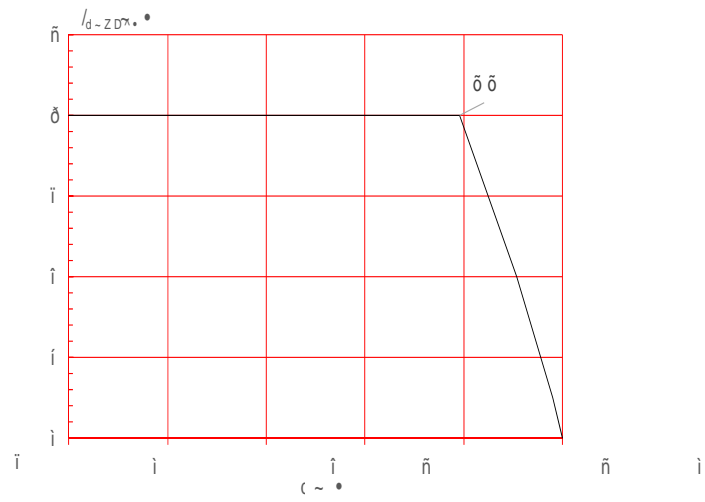


FIG.3: Surge peak on-state current versus number of cycles

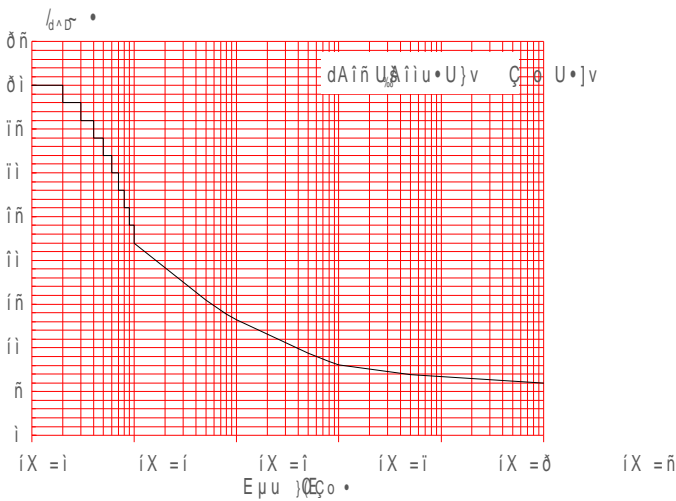


FIG.4: On-state characteristics

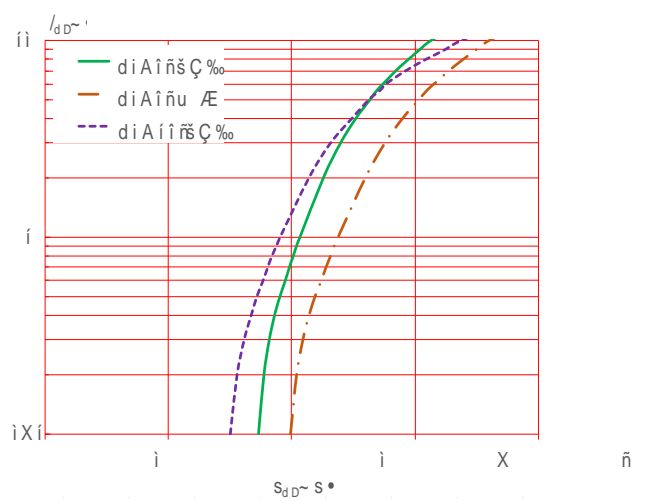


FIG.5: Non-repetitive surge peak on-state current for a sinusoidal pulse with width $t_p < 20\text{ms}$, and corresponding value of I^2t ($dI/dt < 50\text{A}/\mu\text{s}$)

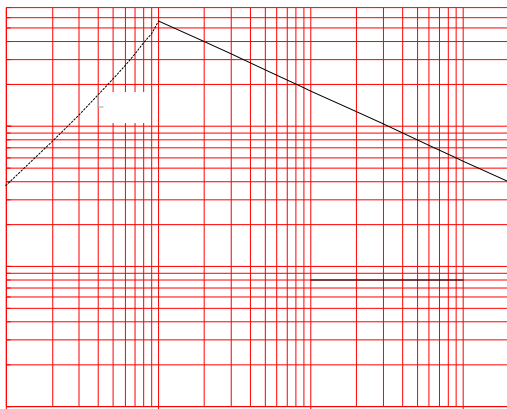
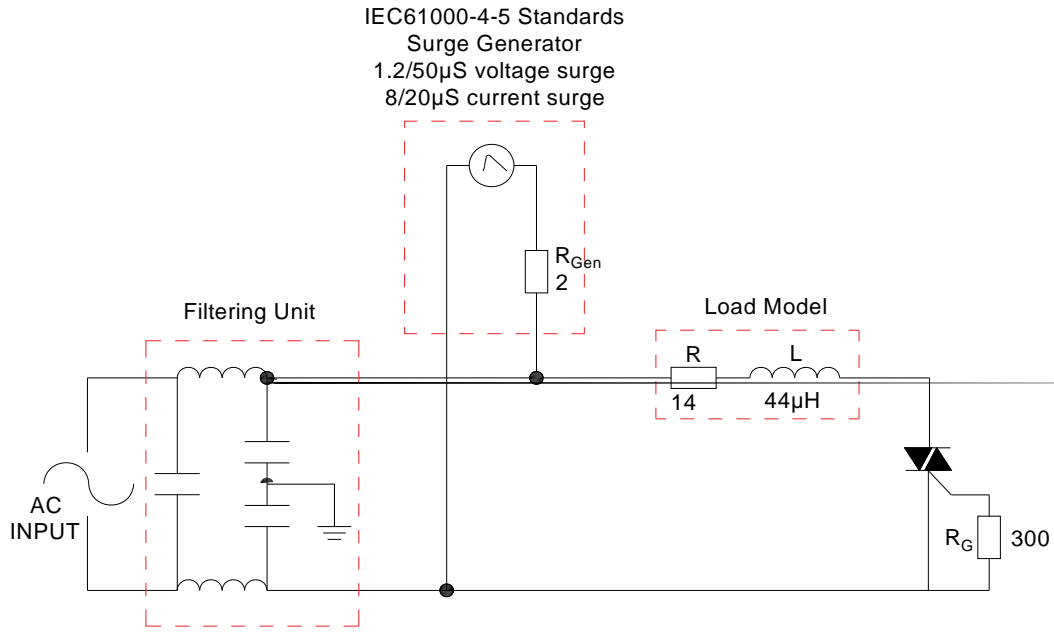


FIG.6: Relative variations of gate trigger current, holding current and latching current versus junction temperature

FIG.7 ÖTest circuit for inductive and resistive loads to IEC-61000-4-5 standards

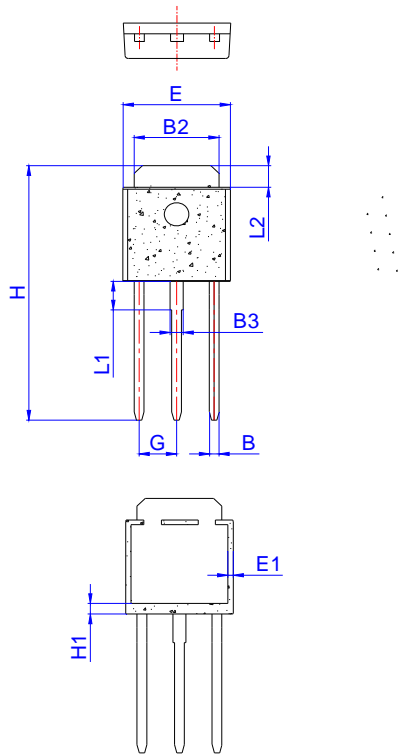


ORDERING INFORMATION

| Order code | Voltage |
|------------|---------|
|------------|---------|

V

PACKAGE MECHANICAL DATA



| Ref. | Dimensions | | | | | |
|------|-------------|------|-------|--------|------|-------|
| | Millimeters | | | Inches | | |
| | Min. | Typ. | Max. | Min. | Typ. | Max. |
| A | 2.20 | | 2.40 | 0.086 | | 0.095 |
| A2 | 1.00 | | 1.30 | 0.039 | | 0.051 |
| B | 0.50 | | 0.70 | 0.020 | | 0.028 |
| B2 | 5.10 | | 5.40 | 0.200 | | 0.213 |
| B3 | | | | | | |
| C | | | | | | |
| C2 | | | | | | |
| D | | | | | | |
| E | | | | | | |
| E1 | 0.60 | | 1.00 | 0.024 | | 0.039 |
| G | | | | | | |
| H | 16.00 | | 17.00 | 0.630 | | 0.669 |
| H1 | 1.45 | | 1.85 | 0.057 | | 0.073 |
| L1 | | | | | | |
| | | | | | | |

