

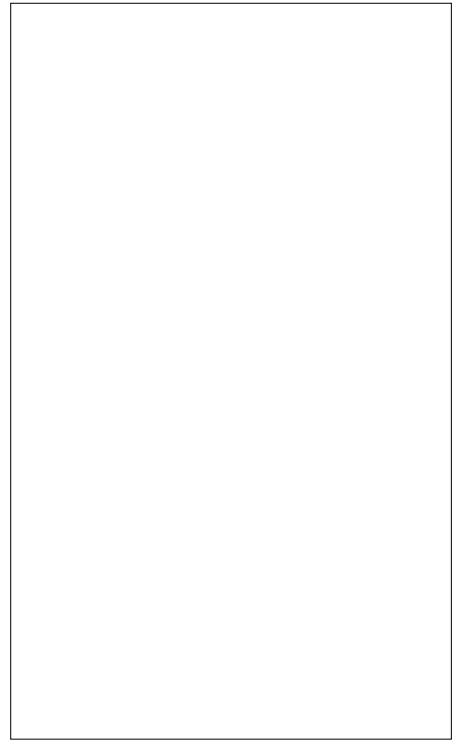


ACJ T410-10C 4A TRIAC

Rev. A. 1.1

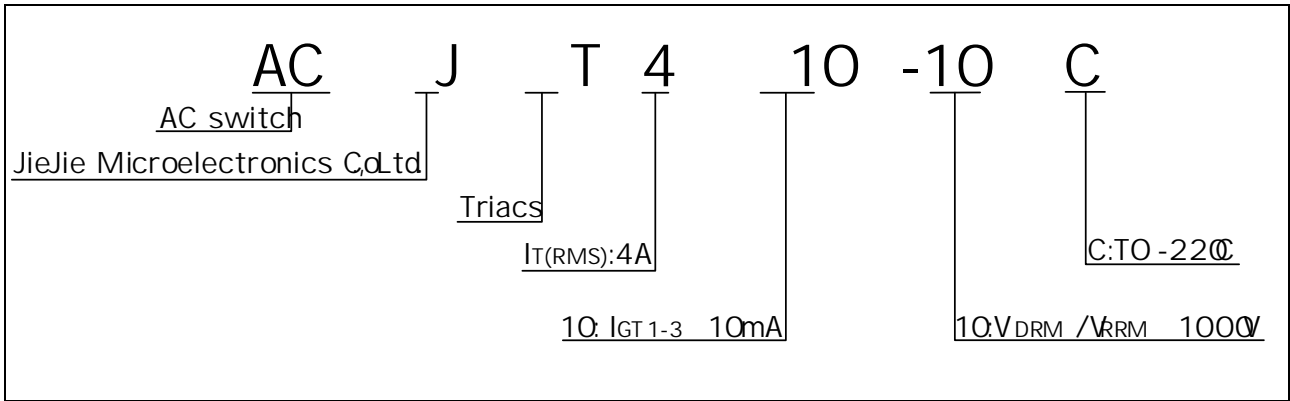
**DESCRIPTION:**

The ACJT410-10C triac is suitable for general purpose





ORDERING INFORMATION



MARKING

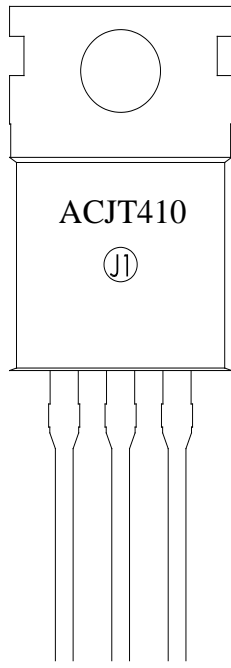
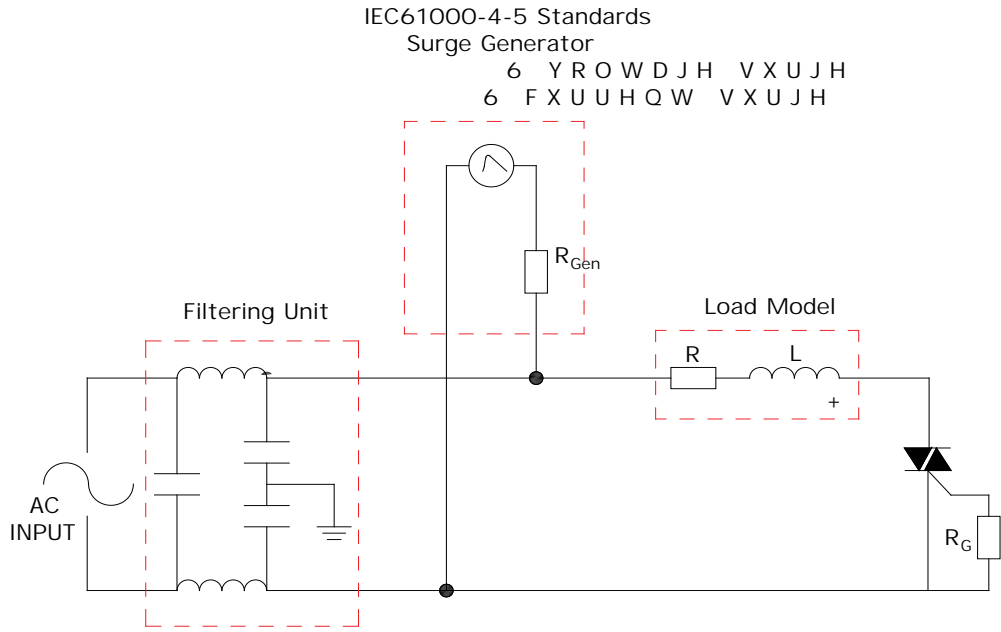




FIG.7 Test circuit for inductive and resistive loads to IEC61000-4-5 standards



## ORDERING INFORMATION

Order code	Voltage $V_{DRM}/V_{RRM}$ (V)	IGT (mA)	Package	Base qty. (pcs)	Delivery mode
ACJT 410-10C	1000	10	TO-220C	50	Tube

## Document Revision History

Date	Revision	Changes
Apr.14, 2023	A.1.0	Last updated
Oct15, 2025	A.1.1	Revise PACKAGE MECHANICAL DATA

PACKAGE MECHANICAL DATA



Information furnished in this document is believed to be accurate and reliable. However, Jiangsu JieJie Microelectronics Co., Ltd. assumes no responsibility for the consequences of use without consideration for such information nor use beyond it. Information mentioned in this document is subject to change without notice, apart from that when an agreement is signed, Jiangsu JieJie complies with the agreement.

Products and information provided in this document have no infringement of patents. Jiangsu JieJie assumes no responsibility for any infringement of other rights of third parties which may result from the use of such products and information. This document supersedes and replaces all information previously supplied.



is a registered trademark of Jiangsu JieJie Microelectronics Co., Ltd.

Copyright ' 2025 Jiangsu JieJie Microelectronics Co., Ltd. All rights reserved.