

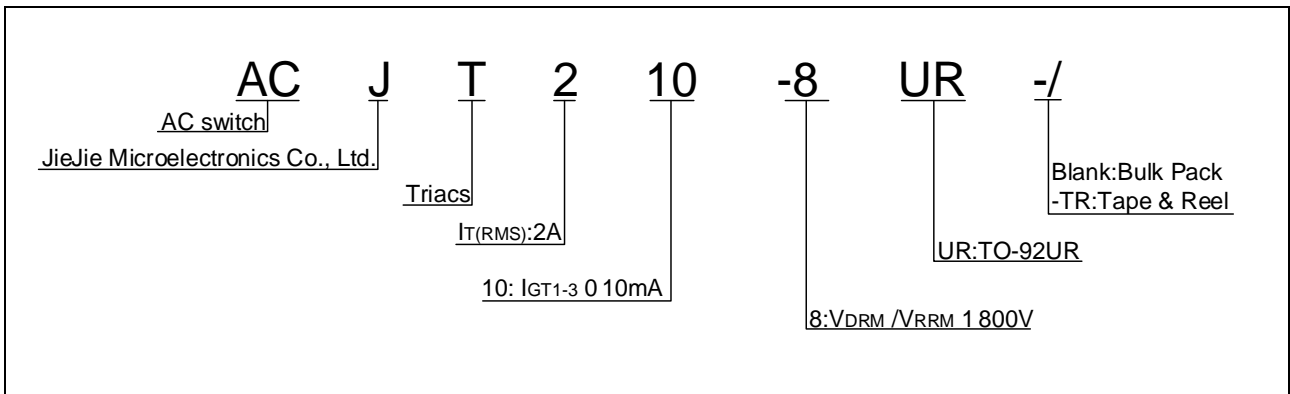


Peak pulse voltage ($T_j=25$; non-repetitive,off-state;FIG.7)	V_{pp}	4.5	kV
--	----------	-----	----

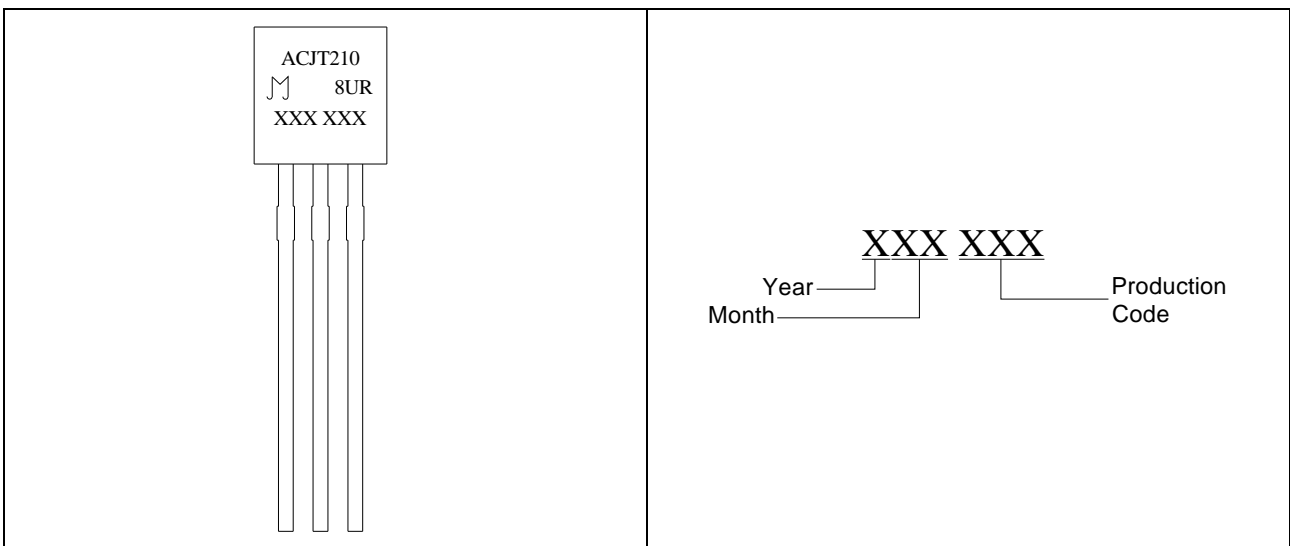
ELECTRICAL CHARACTERISTICS ($T_j=25$ unless otherwise specified)



ORDERING INFORMATION



MARKING



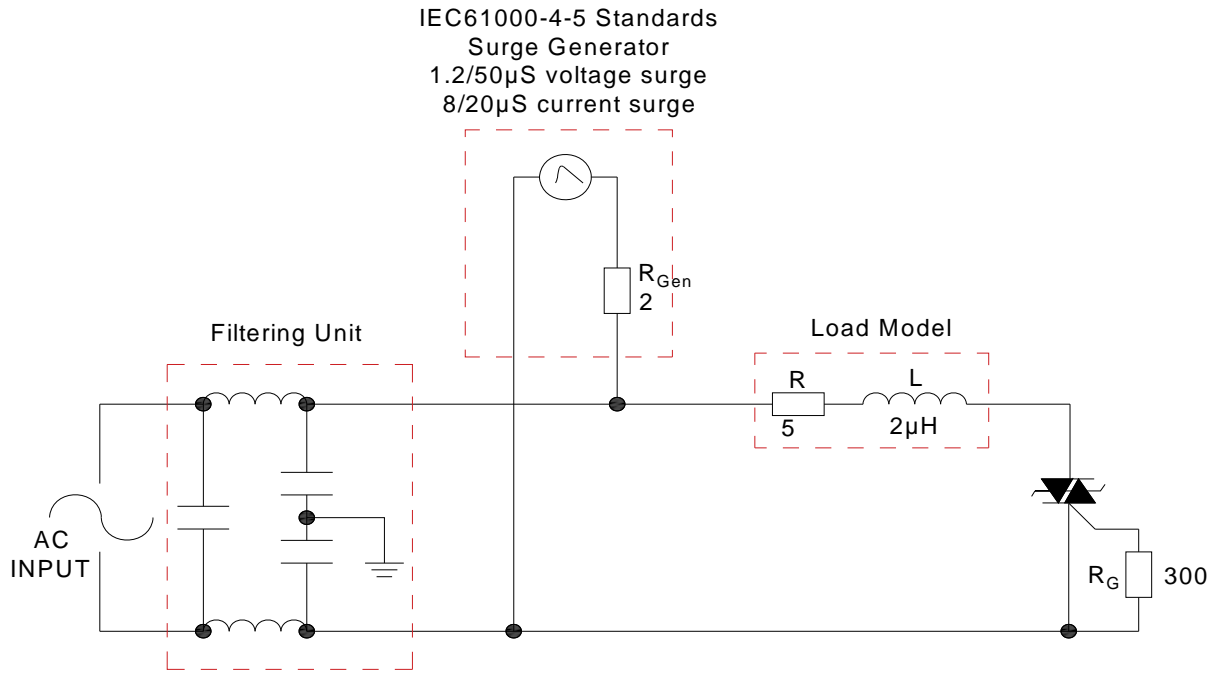


Maximum power dissipation versus RMS
on-state current

RMS on-state current versus case
temperature ρ^{BiVw} VB6v— dryLi !" ϵ i ρ^{BiVw}



FIG.7 ÖTest circuit for inductive and resistive loads to IEC-61000-4-5 standards



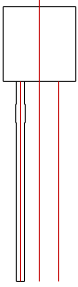


ORDERING INFORMATION

Date	Revision	Changes
Apr.14, 2023	A.1.0	Last updated
Mar.27, 2025	A.2.0	Renew PACKAGE MECHANICAL DATA
Sept.28, 2025	A.2.1	Revise PACKAGE MECHANICAL DATA



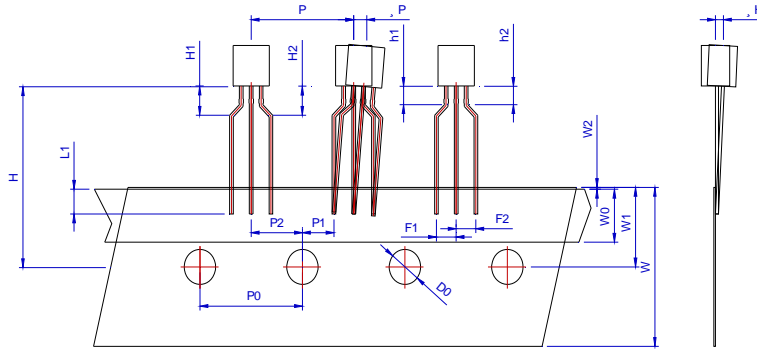
PACKAGE MECHANICAL DATA





DELIVERY MODE

TO-92UR	Bulk Pack	1,000	10,000	50,000



Ref.	Dimensions					
	Millimeters			Inches		
	Min.	Typ.	Max.	Min.	Typ.	Max.
P	12.40	12.70	13.00	0.488	0.500	0.512
P0	12.40	12.70	13.00	0.488	0.500	0.512
P1	3.55	3.85	4.15	0.140	0.152	0.163
P2	5.95	6.35	6.75	0.233	0.250	0.265
$\pm P$	-1.00	0	1.00	-0.039	0	0.039
F1 $\tilde{\Delta}$ F2	2.30	2.50	2.70	0.090	0.098	0.106
F1-F2	-0.10	0	0.10	-0.004	0	0.004
W	17.50	18.00	19.00	0.689	0.709	0.748
W0	5.50	6.00	6.50	0.217	0.236	0.256
W1	8.50	9.00	9.50	0.335	0.354	0.374
W2			1.00			0.039
D0	3.80	4.00	4.20	0.150	0.157	0.165
$\pm H$	-1.00	0	1.00	-0.039	0	0.039
L1	2.50			0.098		
H	18.00	19.00	20.00	0.709	0.748	0.787
H1 $\tilde{\Delta}$ H2			3.00			0.119
H1-H2	-0.50		0.50	-0.020		0.020
h1 $\tilde{\Delta}$ h2			1.00			0.040
h1-h2	-0.20		0.20	-0.008		0.008

--	--	--	--	--



Information furnished in this document is believed to be accurate and reliable. However, Jiangsu JieJie Microelectronics Co., Ltd. assumes no responsibility for the consequences of use without consideration for such information nor use beyond it. Information mentioned in this document is subject to change without notice, apart from that when an agreement is signed, Jiangsu JieJie complies with the agreement.