

Description

JOR417D8

MOSFET

The JOR417D8 Photo relay consist of a photo MOSFET Photovoltage generator infrared LED.

Features

Normally opened (SPST)

200V

Control 200V AC or DC voltage

180mA

Switch 180mA load

Controls low-level analog sings

High sensitivity, low conductivity resistance

Low-level off state leakage current

5000V

High isolation voltage 5000V

RoHS

Lead free, meet RoHS standards

UL VDE CQC

Meet safety standard approval: UL ,Rc < Ga D9 CQC

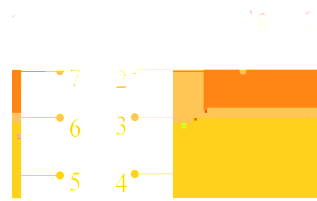




Package and Schematic Diagram



SMD

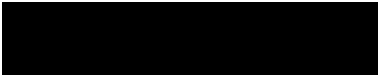


Pin Configuration

- | | |
|---------|--------|
| 1.3. AN | 2.4.CA |
| 5. D1 | 6. D2 |
| 7. D3 | 8. D4 |

Insulation and Safety related specifications

Item	Symbol	Value	Unit	Remark
Creepage Distance	L	7.0	mm	Measured from input terminals to output terminals, shortest distance path along body
Clearance Distance	L	7.0	mm	Measured from input terminals to output terminals, shortest distance through air
Insulation Thickness	DTI	0.4	mm	Insulation thickness between emitter and detector



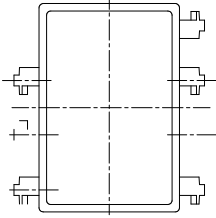


Electro-optical Characteristics (Ta= 25)

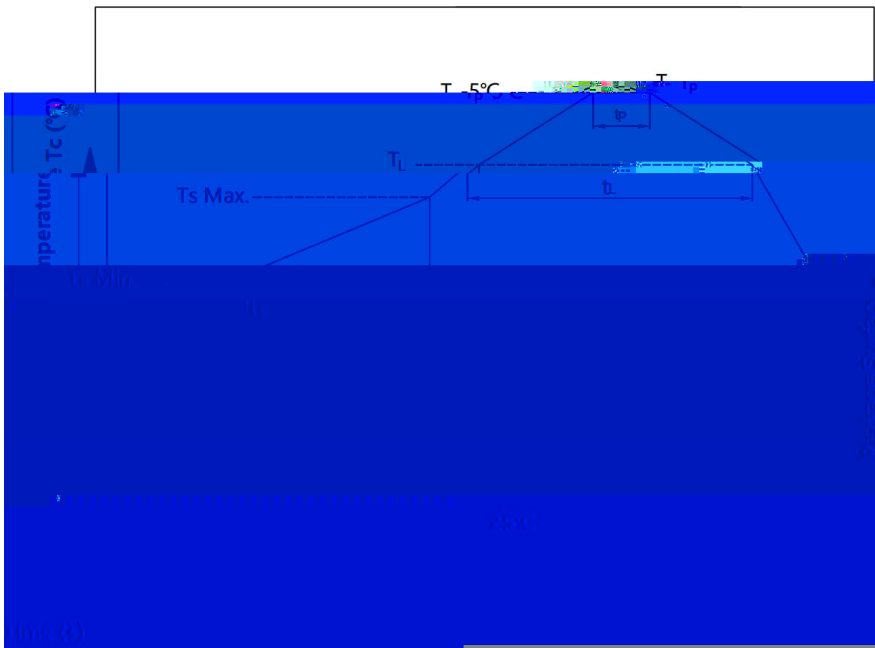
Parameter		Symbol	Condition	Min.	Typ.	Max.	Unit
Input	LED LED operate current	I_{Fon}	$I_L = 0.18A$	-	1.2	3	mA
	LED LED turn off current	I_{Foff}	$I_L = 0.18A$	0.05	1.1	-	mA
	LED LED dropout voltage	V_F	$I_F = 5mA$	1	1.3	1.4	V
Output	On resistance	R_{on}	$I_F = 5mA, I_L = 0.18A$ Within 1s on time	-	2.2	5	Ω
	Off state leakage current	I_{Leak}	$I_F = 0 mA$ $V_L = 200V$	-	-	1000	nA
Transfer Characteristics	Turn on time	T_{on}	$I_F = 5mA$ $I_L = 0.18A$	-	0.36	2	ms
	Turn off time	T_{off}	$I_F = 5mA$ $I_L = 0.18A$	-	0.12	1	ms
	I/O I/O capacitance	C_{ISO}	$f = 1 MHz$ $V_B = 0V$	-	0.8	1.5	pF
	I/O Initial I/O isolation resistance	R_{ISO}	500 V DC	1000	-	-	M

Outline Dimensions

DIP8



Solder Reflow Profile

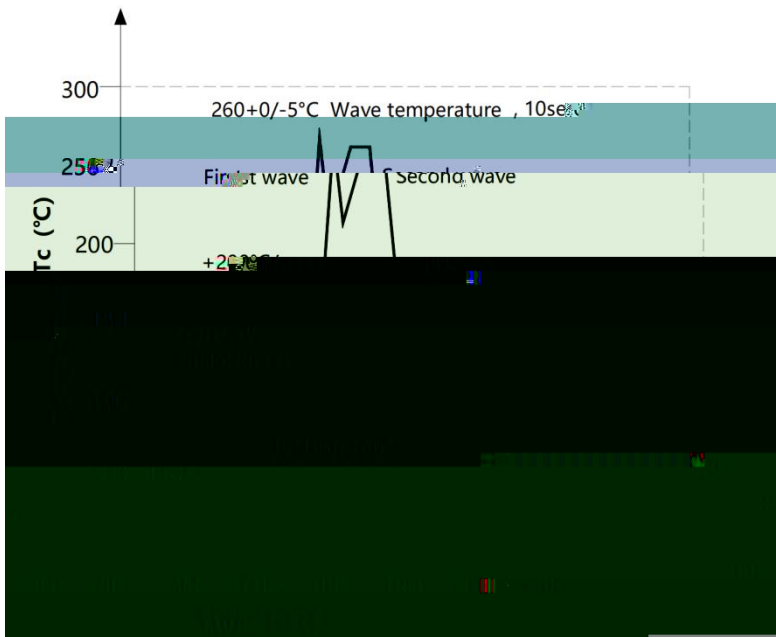


Item	Symbol	Min.	Max.	Unit
Preheat Temperature	T_s	150	200	
Preheat Time	t_s	60	120	s
Ramp-Up Rate (T_L to T_p)	-	-	3	/s
Liquidus Temperature	T_L	217		
Time Above T_L	t_L	60	150	s
Peak Temperature	T_p	-	260	
Time During Which T_c Is Between (T_p-5) and T_p	t_p	-	30	s
Ramp-down Rate(T_p to T_L)	-	-	6	/s

Note

- c hich in B

Wave Soldering Profile



Soldering with hand soldering iron

A.

Packing

Summary table

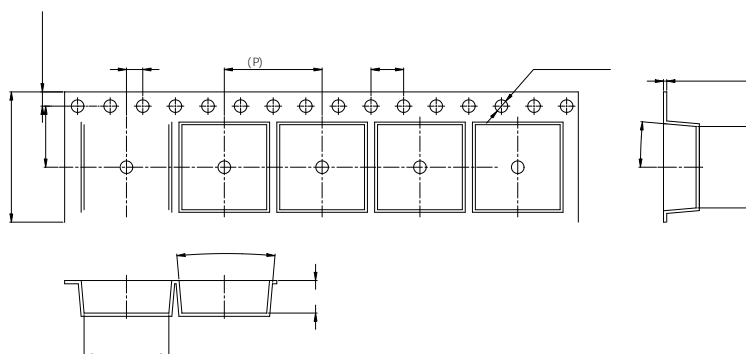
Package Type	Packing Form	Quantity per Reel	Quantity per Box	Quantity per Carton	Antistatic Bag Specification	Box Specification	Carton Specification	Note
DIP8	Tube (500*12*11mm)	45 / /tube	50 / tubes/box	10 / /ctn		52.5*12.8*5.6cm	53.5*27.5*30cm	
SMD8	Reel (330mm)	1000 / /reel	2 / /box	10 / /ctn	380*380mm	34*6*34cm	62*36*36.5cm	
DIP8	Tube (500*12*11mm)	45pcs /tube	50 tubes/box	10 boxes /ctn	NA	52.5*12.8*5.6cm	53.5*27.5*30cm	Endplug (blue) and Endplug (white) keep the direction
SMD8	Reel (330mm Blue)	1000 pcs /reel	2 reels /box	10 boxes /ctn	380*380mm	34*6*34cm	62*36*36.5cm	

DIP8 Tape & Reel

- 1) 45
Qty/reel 45 pcs.
- 2) 22500
Qty/ctn 22500 pcs.
- 3) 50
Inner packing 50 tube/box.
- 4) Schematic

SMD8 Tape & Reel

- 5) 1000
Qty/reel 1000 pcs.
- 6) 20000
Qty/ctn 20000 pcs.
- 7) 2
Inner packing 2 reels/box.
- 8) Schematic



Unit mm

AttentZon

JieJie continuously improve quality, reliability, f or design. We reserve the right to change this document without notice.

Please use in accordance with the product specification.

R U T X D H D V H

a*

cf

the

