



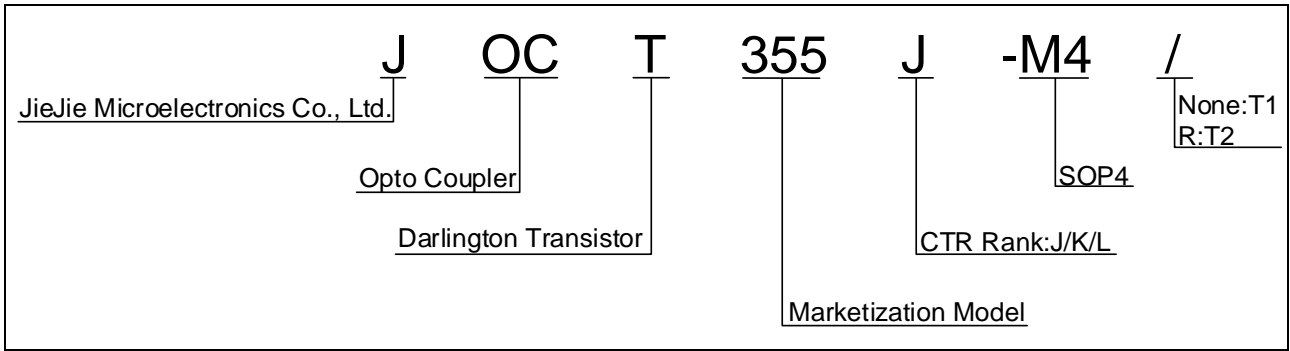
JOCT355X-M4 Series

Rev.A.1.0

The products are Darlington transistor opto-couplers in a plastic SOP4 package. The device á

Storage Temperature

T_{stg}



| | |
|--------|-----------------|
| | |
| None/R | 3000 Units/Reel |

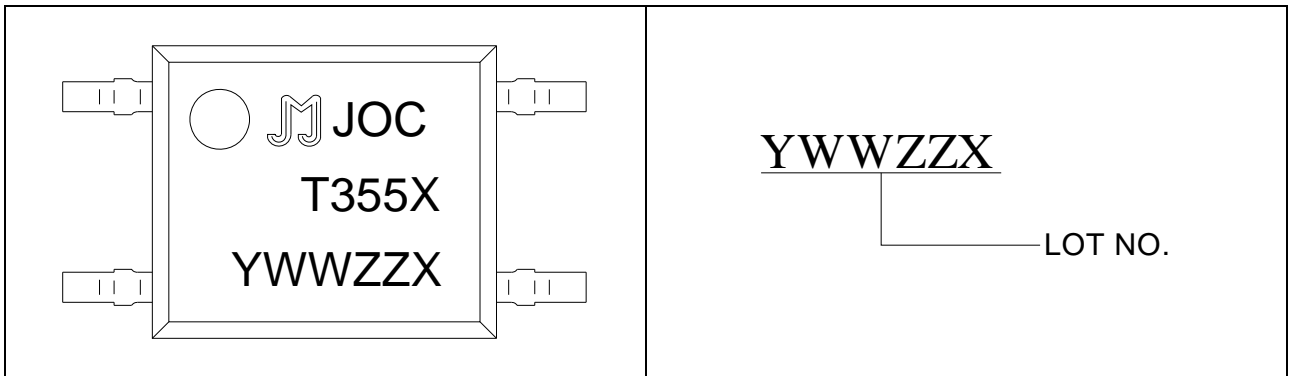


FIG.1: Max. Allowable LED Forward Current vs. Ambient Temperature

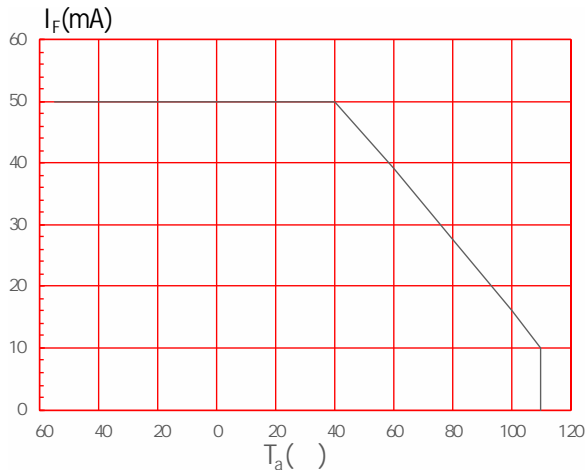


FIG.2: Collector Power Dissipation vs. Ambient Temperature

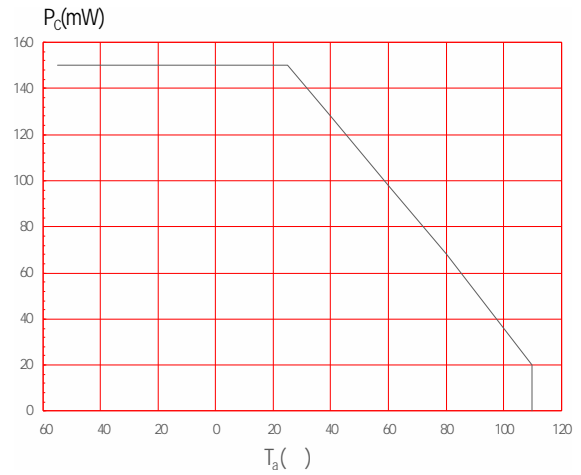


FIG.3: Forward Current vs. Forward Voltage

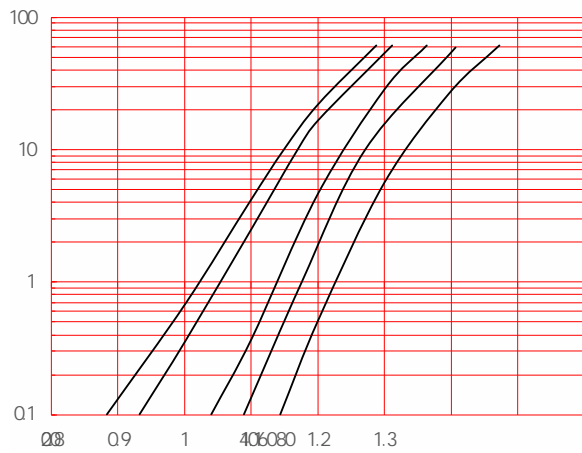
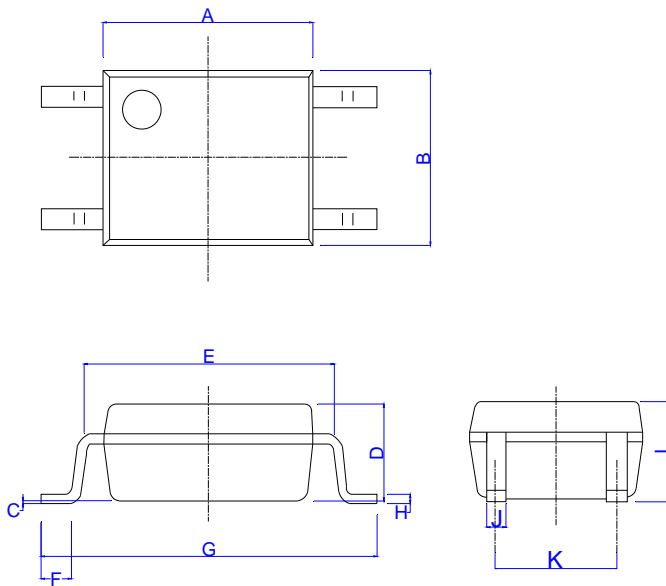
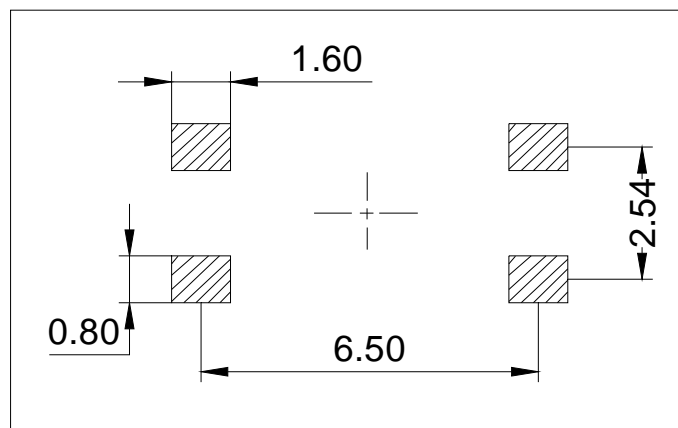


FIG.4: Collector Dark Current vs. Ambient Temperature

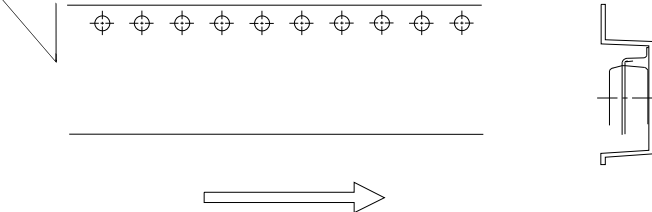
1 a .3(.3 2 1.32

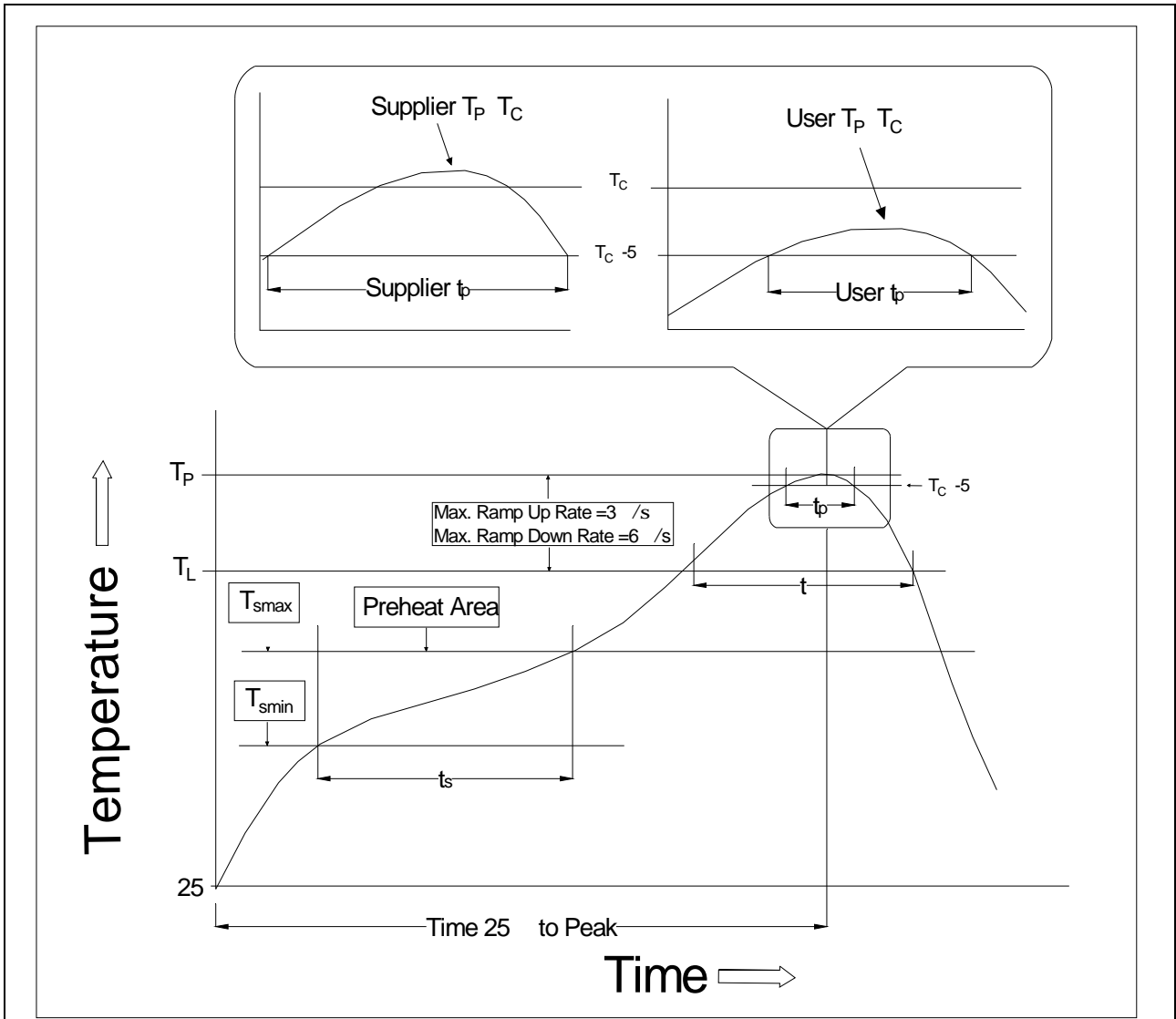


| Ref. | Dimensions | | | | | |
|------|-------------|------|------|--------|------|-------|
| | Millimeters | | | Inches | | |
| | Min. | Typ. | Max. | Min. | Typ. | Max. |
| A | 4.40 | | 4.80 | 0.173 | | 0.189 |
| B | 3.60 | | 4.20 | 0.142 | | 0.165 |
| C | 0.00 | | 0.20 | 0.000 | | 0.008 |
| D | 1.90 | | 2.30 | 0.075 | | 0.091 |
| E | 5.00 | | 5.60 | 0.197 | | 0.220 |
| F | 0.34 | | 0.94 | 0.013 | | 0.037 |
| G | 6.70 | | 7.30 | 0.264 | | 0.287 |
| H | 0.10 | | 0.30 | 0.004 | | 0.012 |
| I | 2.00 | | 2.40 | 0.079 | | 0.094 |
| J | 0.25 | | 0.55 | 0.010 | | 0.022 |
| K | 2.29 | | 2.79 | 0.090 | | 0.110 |



Option None





| Profile Feature | Sn-Pb Assembly Profile | Pb-Free Assembly Profile |
|---|------------------------|--------------------------|
| Temperature Min. (T _{smin}) | 100 | 150 |
| Temperature Max. (T _{smax}) | 150 | 200 |
| Time (t _s) from (T _{smin} to T _{smax}) | 60-120 seconds | 60-120 seconds |
| Ramp-up Rate (t _L to t _P) | 3 °/second max. | 3 °/second max. |
| Liquidus Temperature (T _L) | 183 | 217 |



Note:

1. Reflow soldering is recommended at the temperatures and times shown, no more than three times.
2. Avoid direct contact between the epoxy body and any tools or surfaces exceeding its maximum storage temperature.
3. Application of pressure on the epoxy body is prohibited at elevated temperatures. In specific scenarios, any applied force must not exceed 2.5N.
4. Ensure the component has cooled to ambient temperature before proceeding with any subsequent manufacturing steps.
5. The component has a shelf life of one year when stored under standard conditions.
6. Recommend storage Temp.: 0~40°C;
Recommend storage humidity: <60%;
MSL level: MSL 1

Information furnished in this document is believed to be accurate and reliable. However, Jiangsu JieJie Microelectronics Co., Ltd. assumes no responsibility for the consequences of use without consideration for such information nor use beyond it. Information mentioned in this document is subject to change without notice, apart from that when an agreement is signed, Jiangsu JieJie complies with the agreement.

Products and information provided in this document have no infringement of patents. Jiangsu JieJie assumes no responsibility for any infringement of other rights of third parties which may result from the use of such products and information. This document supersedes and replaces all information previously supplied.



is a registered trademark of Jiangsu JieJie Microelectronics Co., Ltd.

Copyright © 2026 Jiangsu JieJie Microelectronics Co., Ltd. All rights reserved.