

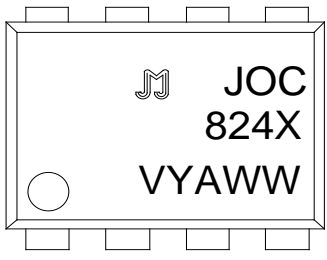


JOC824X Series

Rev.A.1.0

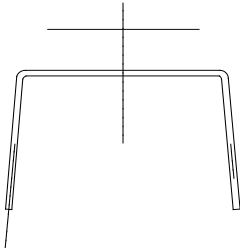
D

ORDERING AND MARKING INFORMATION

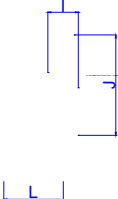
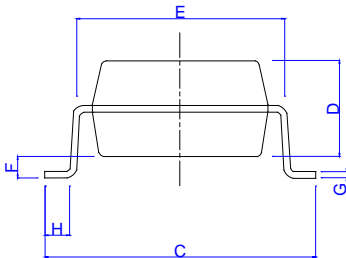
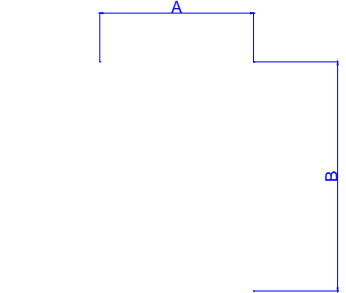
MARKING INFORMATION			
		YAWW LOT NO.	
ORDERING INFORMATION			
JOC824X(Y)(Z)-GV			
Packing Quantity			
Option	Quantity	Quantity – Inner box	Quantity –Outer box

Package Dimension (Unit: mm)

Standard DIP Type:

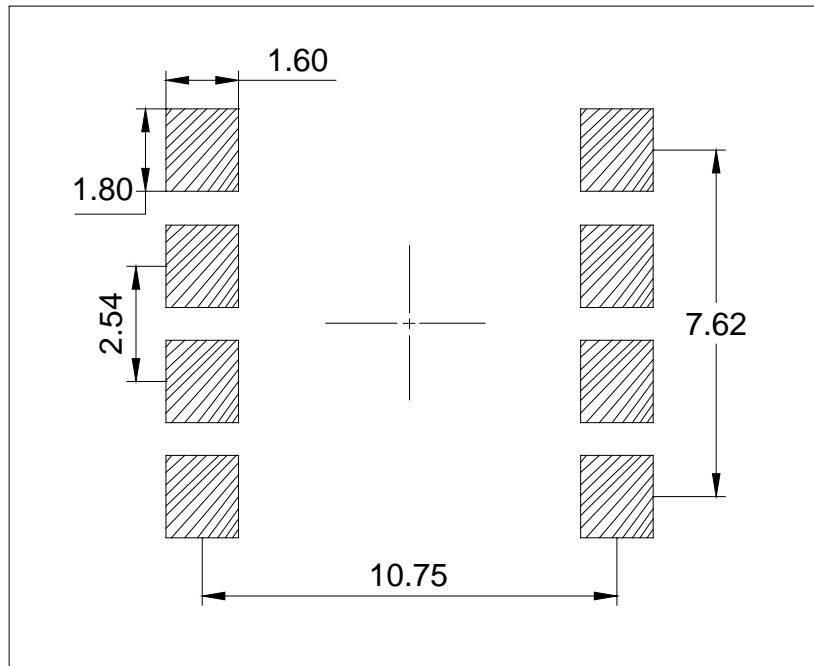


Option S Type:

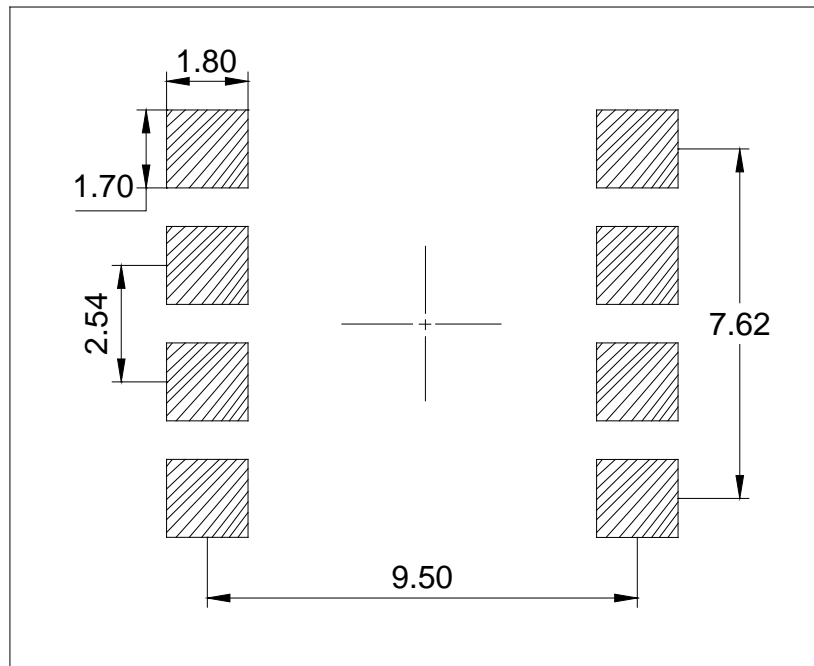


RECOMMENDED SOLDER MASK (Dimensions in mm unless otherwise stated)

Option S

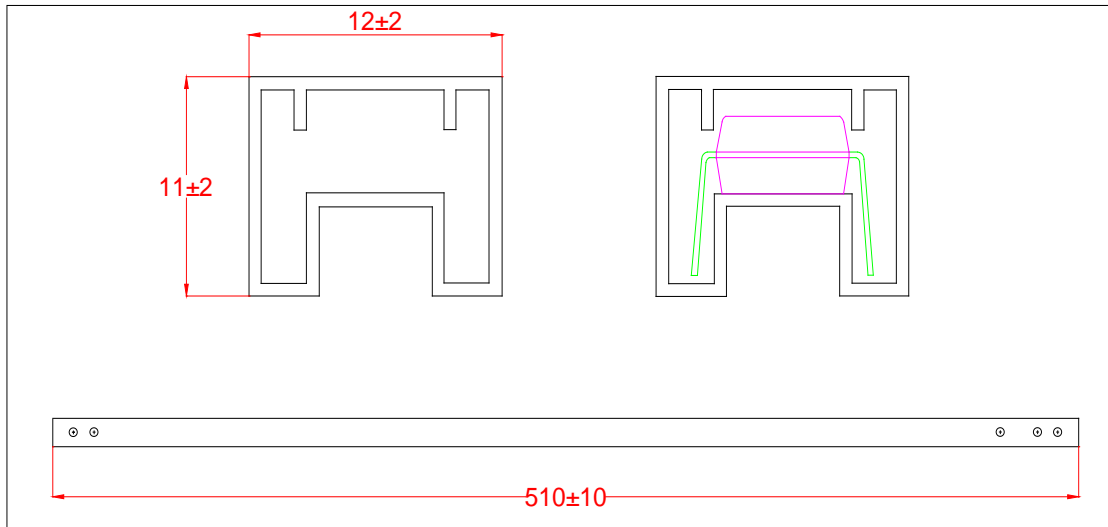


Option SL

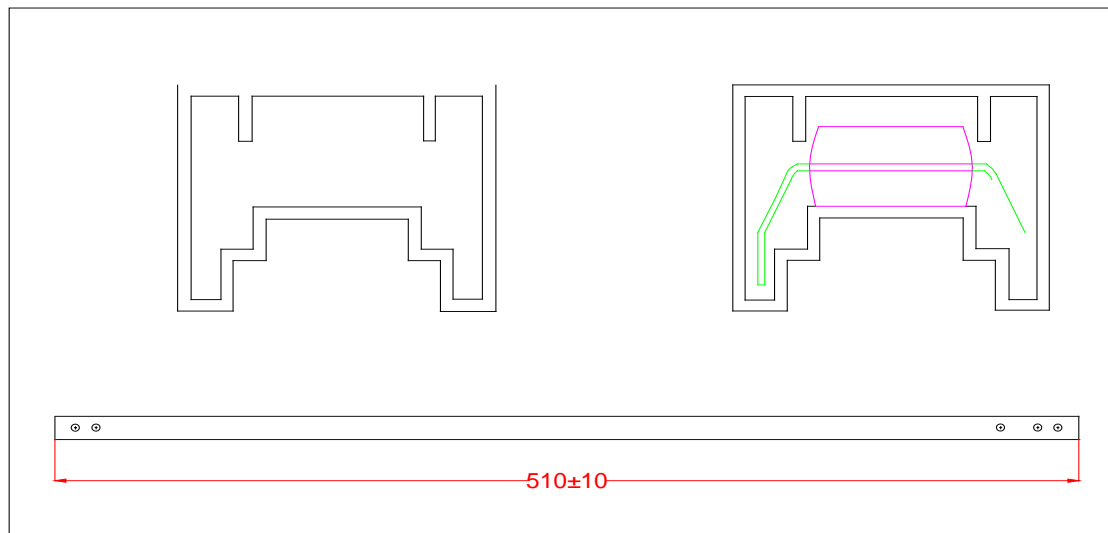


TUBE SPECIFICATIONS (Dimensions in mm unless otherwise stated)

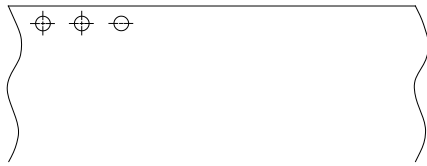
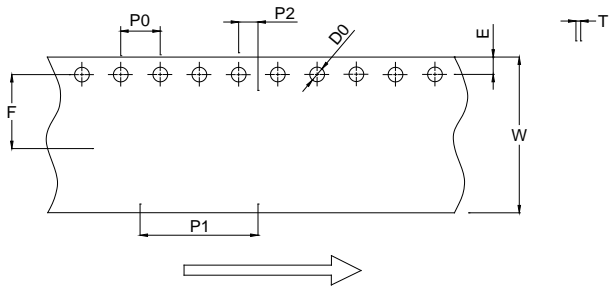
Standard DIP



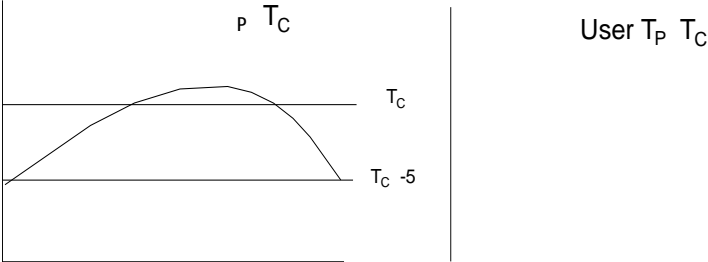
Option M



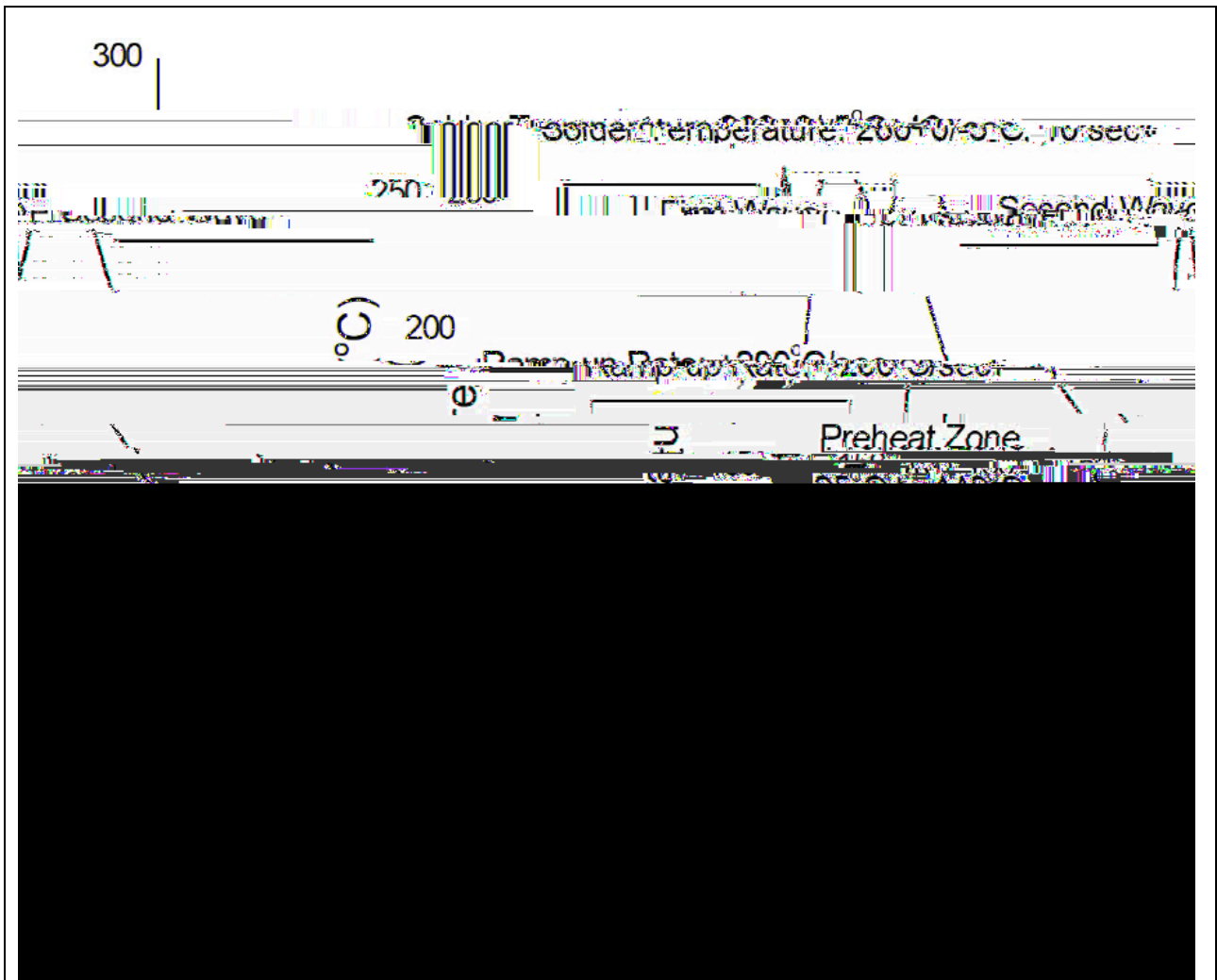
CARRIER TAPE SPECIFICATIONS (Dimensions in mm unless otherwise stated)



REFLOW INFORMATION



WAVE SOLDERING



HAND SOLDERING BY SOLDERING IRON

Soldering Temperature	360 ± 5
Soldering Time	3s max.

