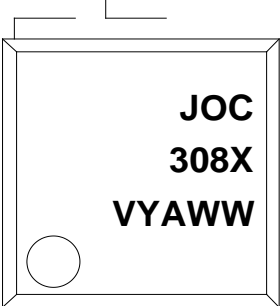




	Power Dissipation Derating ($T_a = 25^\circ\text{C}$)	$P_D/$	-3.33	mW/
Total Power Dissipation		P_{tot}	350	mW
Isolation Voltage		V_{iso}	5000	Vrms
Operating Temperature		T_{opr}	-55~100	



JOC308X

FIG.7: Normalized On-state Terminal Voltage vs. Ambient Temperature

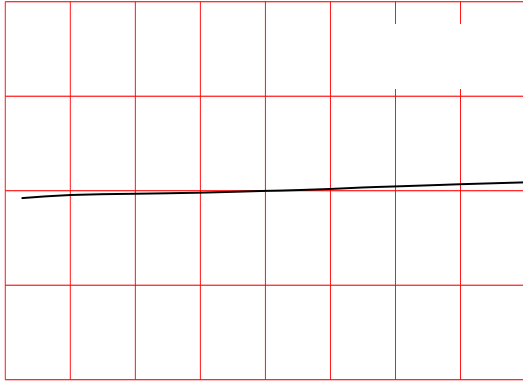


FIG.8: On-state Terminal Voltage vs. On-state Terminal Current

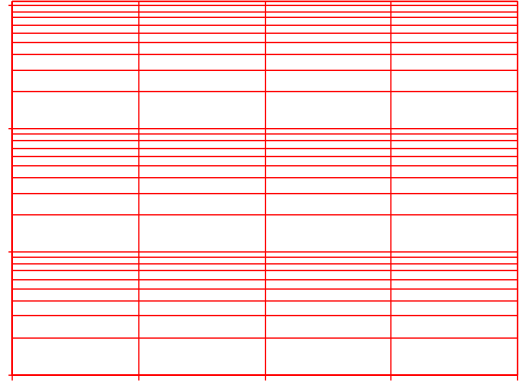


FIG.12: Test Circuits of Turn On Time

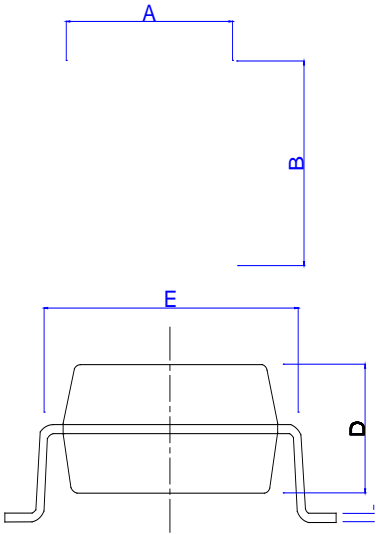
FIG.13: Waveforms of Turn On Time

Fig.14: Test Circuits of dV/dt

Fig.15: Waveforms of dV/dt

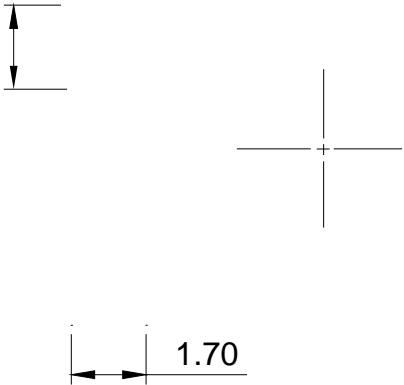
Option S Type:

D

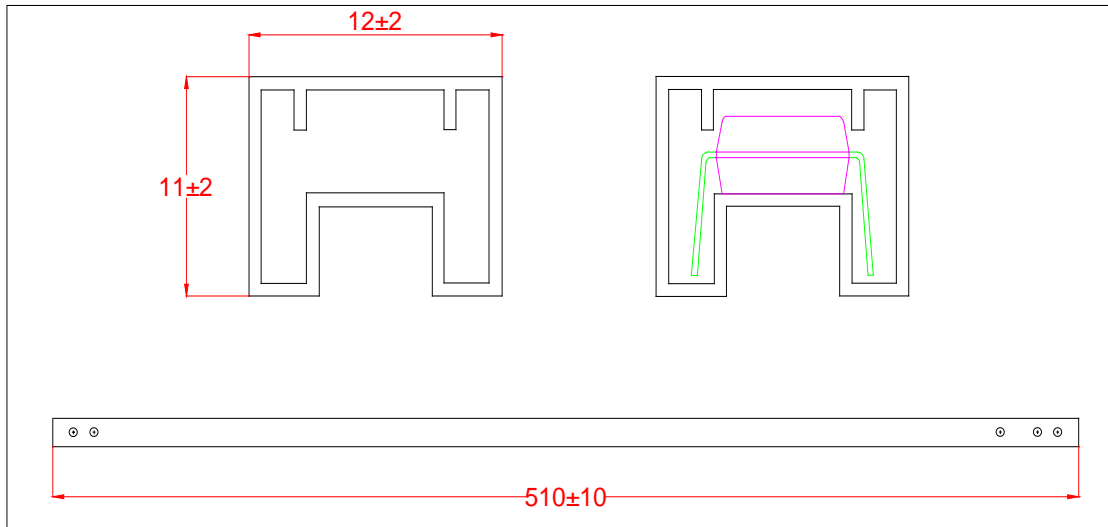


Option SLM Type:

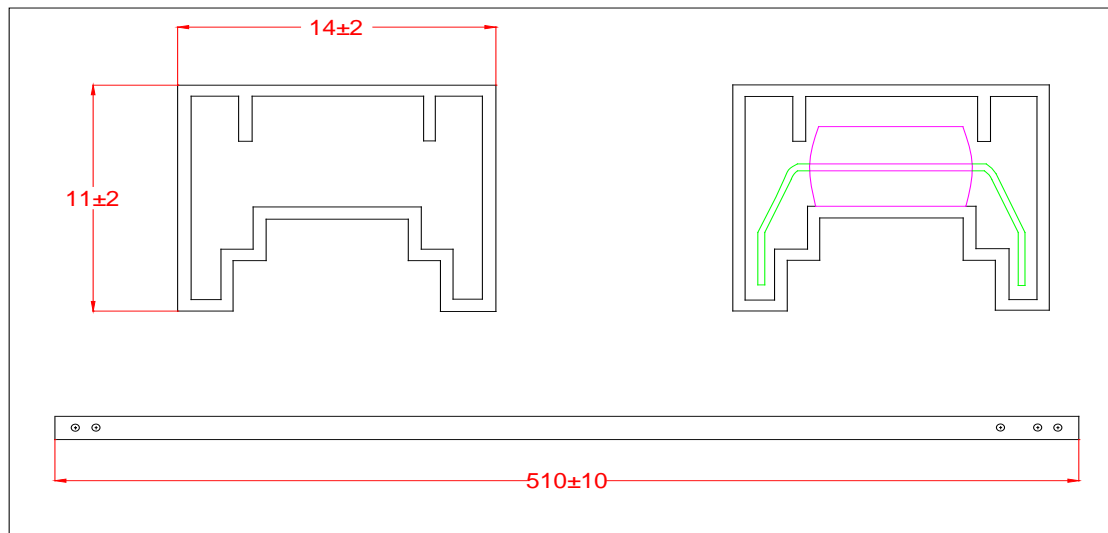
Option SL

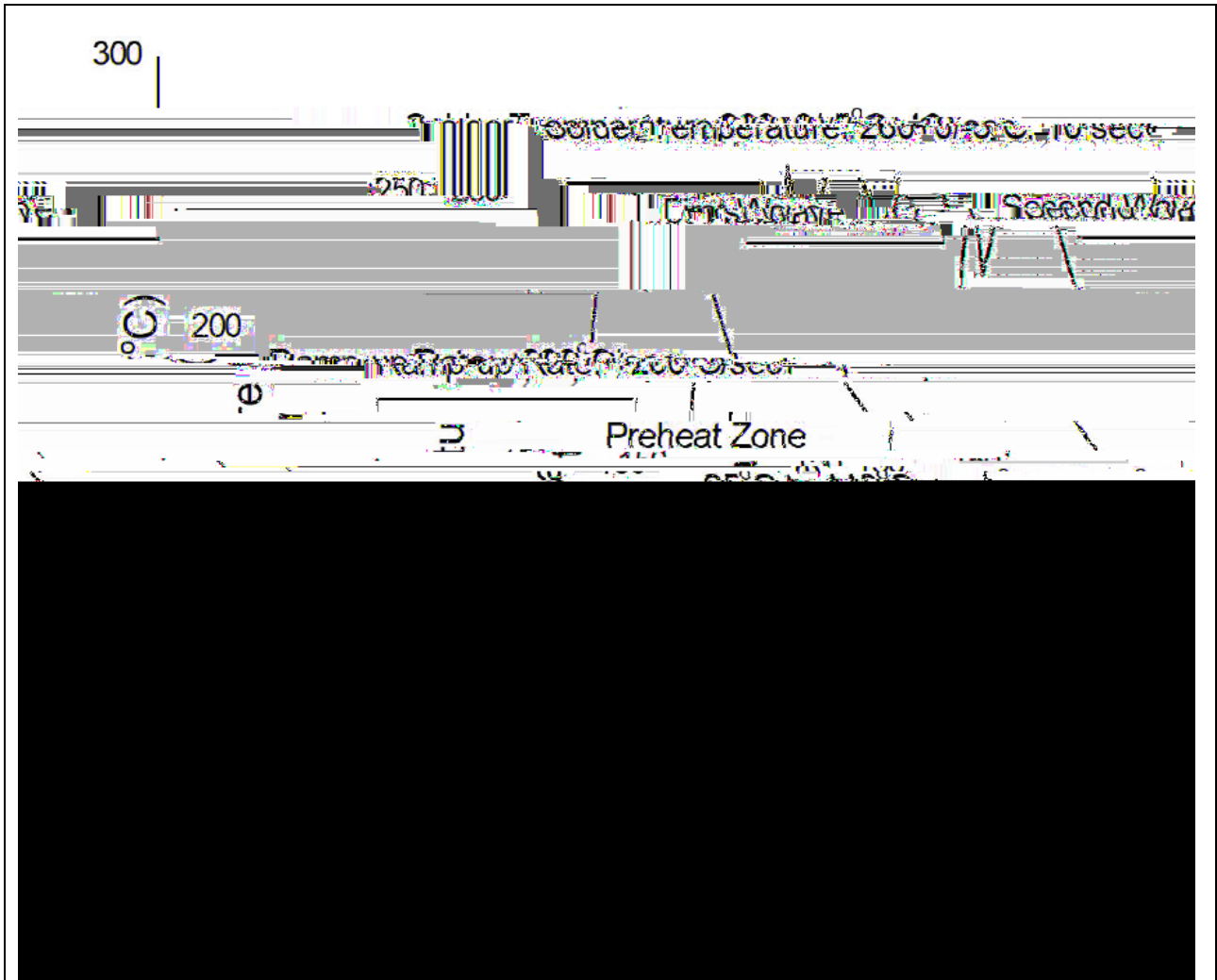


Standard DIP



Option M





Soldering Temperature	360± 5
Soldering Time	3s max.

Document Revision History

Date	Revision	Changes
Apr.2, 2025	A.1.0	Last update
Nov.5, 2025	A.1.1	Add S&SLM package