



Description

JM P-channel MOSFET

Features

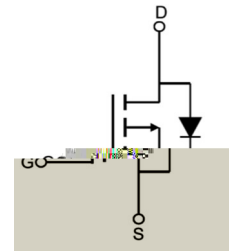
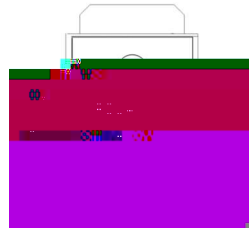
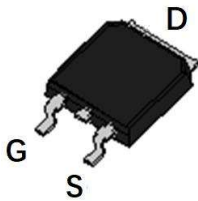
- J_{SG} 1.8SIZ-1! * \$5'
- F_{SGCHE} Q') a '4 J; g'1!() J'
- F_{SGCHE} O/&a '4 J; g'1!&) J'
- < I \ DckYfUbX7i fFbHk UbXh 7UdUJhni'
- @UX: fYDFx Vlg'5Wj fYX
- G fLWAci hHDUWj Y

Application

- DKA 5dJfMjcbg'
- @UXGkJW



100% UIS TESTED
100% Vds TESTED



HC!& 88D5? Hcdj Mk AUF_hj UbXd p5ggj ba Yhh GWYa UjM8jU fu a'

Package Marking and Ordering Information

Device Marking	Device	OUTLINE	Device Package	Reel Size	Reel (PCS)	Per Carton (PCS)
>AH) SD685'	>AH) SD685'	H5DB;	HC!&&	%jW	& 88'	& 2888'

Absolute Maximum Ratings

Symbol	Parameter	Max	Units
J _{SG}	8fUpGci fWJcNj Y	!88'	J'
J; cc'	; UEGci fWJcNj Y	-%&	J'
-8'	7cblbi ci g8fUp'7i fFbHh	H'1'& °C'	!* \$
		H'1'88 °C'	!! -'
-8A'	Di `gX8fUp'7i fFbHh ch%	!& \$	5'
D ₈	DckYf8ggdUjcb'	H'1'& °C'	K'
F >7'	H Yfa UfYgJubWZ>i bMjcbk 5a VjHh	& %	°C #K'
HZH _H '	CdMjUj UbXGcfUj YHfa dMjUj fYUj Y	!) 1e Z%)'	°C'



Electrical Characteristics @ T_{amb} = 25°C

Symbol	Parameter	Test Condition	Min	Typ	Max	Units
Off Characteristics						
I_{BFBCC}	I_{BFBCC}	$J, G1SIZS1!Q S 5'$!88'	!'	!'	J'
I_{BGC}	I_{BGC}	$J_{SG}1!88SIZ, G'1'SIZ$!'	!'	!%	5'
I_{BGC}	I_{BGC}	$J_{SG}1SIZ, G'1'-8J'$!'	!'	-88'	b5'
On Characteristics						
J, GHL	J, GHL	$J_{SG}1J, GZS1!Q S 5'$!S(' !S!)'	!%8'		J'
F_{SGHL}	F_{SGHL}	$J, G'1!() JZS 1!%5'$!'	*!8'	, !)'	a .
		$J, G'1!8 JZS 1!%85'$!'	, '	%8'	
Dynamic Characteristics						
T_{EG}	T_{EG}	$J_{SG}1!%SIZ, G'1SIZ$ $ZI %SA < n$!'	() - S'	!'	d .
T_{CG}	T_{CG}		!') S'	!'	d .
T_{FG}	T_{FG}		!'	((S'	!'	d .
E_{I}	E_{I}	$J_{SG}1!%SIZS 1!%5Z$ $J, G'1!() J$!	(*'	!	b7'
E_{IG}	E_{IG}		!	+'''	!	b7'
E_{IX}	E_{IX}		!	%8'	!	b7'
Switching Characteristics						
t_{RHL}	t_{RHL}	$J_{SS}1!%SIZS 1!%5Z$ $F, GB18+ Z$ $J, G'1!%S J'$!'	, '	!'	bg'
t_R	t_R		!') - .	!'	bg'
t_{RHL}	t_{RHL}		!'	%8%	!'	bg'
t_R	t_R		!'	(' .	!'	bg'
Drain-Source Diode Characteristics and Maximum Ratings						
t_{R}	t_{R}		!'	!'	!*8'	5'
t_{RA}	t_{RA}		!'	!'	!88'	5'
J_{GS}	J_{GS}	$J, G'1'SIZG 1!885'$!'	!'	!%8'	J'
H_F	H_F	$H18 °C ZS 1!%5Z$ $J, G1S J'$ $XZ 1!%85#g'$!'	%'	!'	bg'
H_{FF}	H_{FF}		!'	+!4'	!'	b7'

$I_{BFBCC} = I_{BGC} + I_{BGC}$
 $I_{BGC} = I_{BGC} + I_{BGC}$
 $I_{BGC} = I_{BGC} + I_{BGC}$



Typical Performance Characteristics

Figure 1: Typical Performance Characteristics

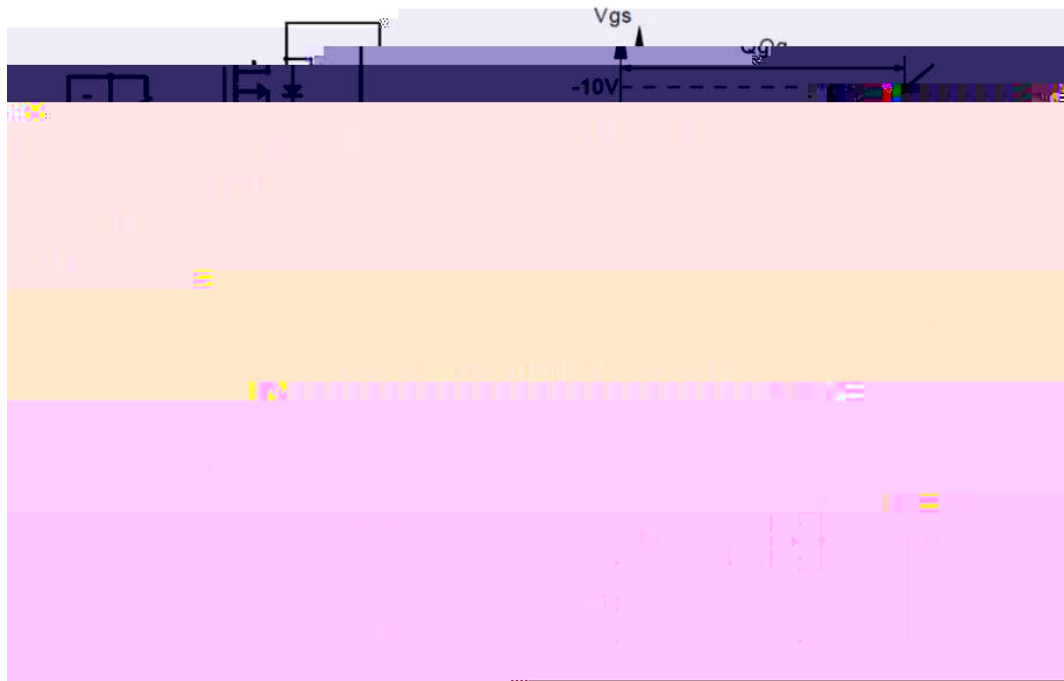
1) J

!JscfLL

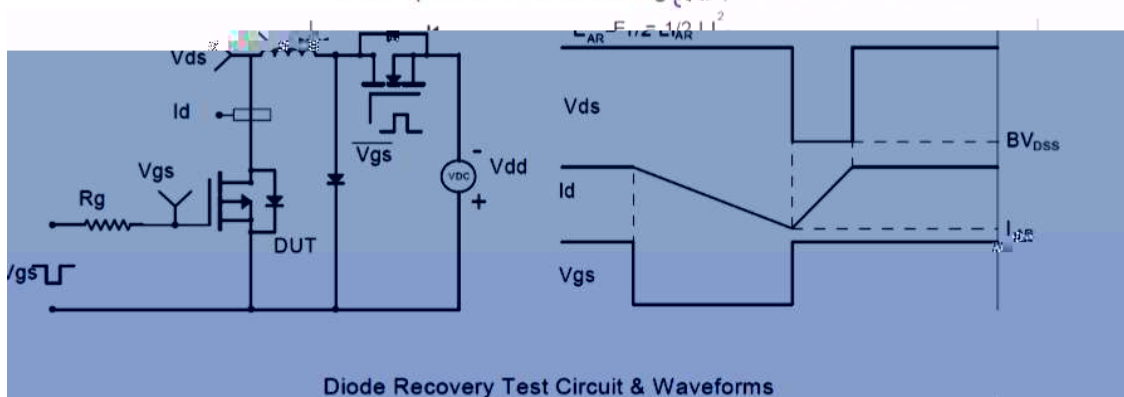
\$



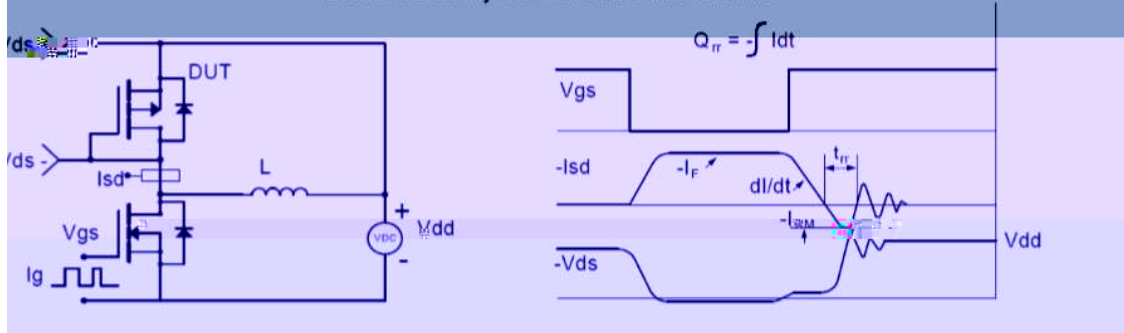
Gate Charge Test Circuit & Waveform



Unclamped Inductive Switching (UIS) Test Circuit & Waveforms



Diode Recovery Test Circuit & Waveforms



Package Mechanical Data

